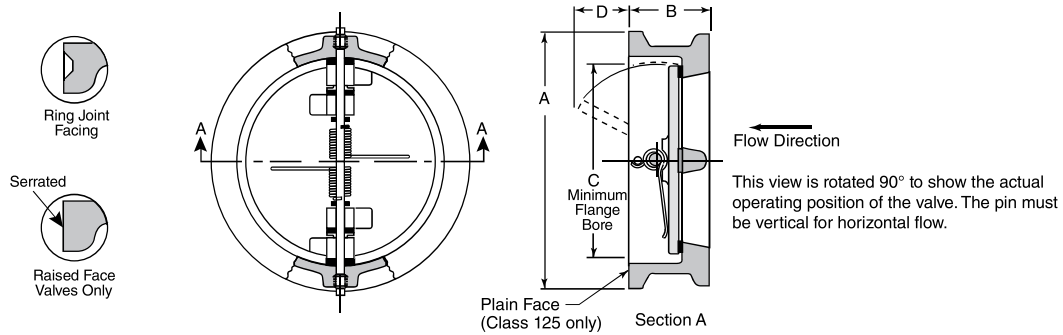


# Wafer Styles G (Retainered) and H (Retainerless)



Wafer body valves are designed with flangeless bodies with short face-to-face dimensions per API 594. They are clamped between mating flanges which are connected by studs and nuts.

### ASME Class 125 (Cast Iron valves only)

Size		A		B		C		D		Weight	
in	mm	in	mm	in	mm	in	mm	in	mm	lbs.	kg.
2"	50	4 1/8	105	2 1/8	54	2 1/16	52	—	—	4	1.8
2 1/2"	65	4 7/8	124	2 1/8	54	2 15/32	63	—	—	6	2.7
3"	80	5 3/8	137	2 1/4	57	3 1/16	78	5/8	16	7	3.2
4"	100	6 7/8	175	2 1/2	64	4	102	1	25	12	5.4
5"	125	7 3/4	197	2 3/4	70	5	127	1 5/16	33	15	6.8
6"	150	8 3/4	222	3	76	6 1/16	154	1 15/16	35	20	9
8"	200	11	279	3 3/4	95	8	203	3 7/16	54	40	18
10"	250	13 3/8	340	4 1/4	108	10	254	3 3/8	70	65	29
12"	300	16 1/8	410	5 5/8	143	11 15/16	303	3 9/16	83	110	50
14"	350	17 3/4	451	7 1/4	184	12 1/2	318	3 1/16	83	183	83
16"	400	20 1/4	514	7 1/2	191	15	381	4 1/4	113	255	116
18"	450	21 3/8	549	8	203	16 7/8	429	5 3/8	137	315	143
20"	500	23 7/8	606	8 3/8	213	18 1/16	478	6 1/16	160	380	172
24"	600	28 1/4	718	8 3/4	222	22 5/8	575	8 1/4	210	575	261
30"	750	34 3/4	883	12	305	29 1/4	743	9 9/16	229	1070	486
36"	900	41 1/4	1048	14 1/2	368	35	889	12 3/16	303	1962	890
42"	1050	48	1219	17	432	41	1041	15	381	2800	1270
48"	1200	54 1/2	1384	20 3/4	524	47	1194	16 3/4	425	3920	1778
54"	1350	61	1549	21 1/4	540	51 1/2	1308	19 3/4	502	6172	2800
60"	1500	67 1/2	1715	26	660	56	1422	—	—	7800	3538
66"	1650	74 1/4	1886	31	787	65 1/4	1657	—	—	12000	5443
72"	1800	80 3/4	2051	36	914	68	1727	—	—	14000	6350
78"	1950	84	2133	39	991	74	1880	—	—	17160	7800
84"	2100	89 3/4	2280	42	1067	80	2032	—	—	20460	9300
88"	2200	94	2388	44	1118	84	2134	—	—	23100	10500

### ASME Class 150

Size		A		B		C		D		Weight	
in	mm	in	mm	in	mm	in	mm	in	mm	lbs.	kg.
2"	50	4.12	105	2.38	60	2.05	52	0.00	0	7	3
2 1/2"	65	4.88	124	2.62	67	2.50	64	0.00	0	11	5
3"	80	5.38	137	2.88	73	2.91	74	0.25	6	13	6
4"	100	6.88	175	2.88	73	3.82	97	0.63	16	18	8
5"	125	7.75	197	3.38	86	4.73	120	0.88	22	26	12
6"	150	8.75	222	3.88	99	5.75	146	1.38	35	35	16
8"	200	11.00	279	5.00	127	7.64	194	2.13	54	70	32
10"	250	13.38	340	5.75	146	9.57	243	2.75	70	106	48
12"	300	16.12	410	7.12	181	11.38	289	3.25	83	172	78
14"	350	17.75	451	7.25	184	12.52	318	3.13	83	200	91
16"	400	20.25	514	7.50	190	15.00	381	4.47	113	275	125
18"	450	21.63	549	8.00	203	16.89	429	5.38	137	315	143
20"	500	23.88	606	8.62	219	18.82	478	6.33	160	433	197
24"	600	28.25	718	8.75	222	22.64	575	8.25	210	618	281
26"	650	30.50	775	8.75	222	24.25	616	8.00	203	946	430
28"	700	32.75	832	12.00	305	25.75	655	9.31	236	1144	520
30"	750	34.75	883	12.00	305	27.51	699	9.66	245	1228	558
32"	800	37.00	940	14.00	356	29.05	738	10.49	266	1694	770
36"	900	41.25	1048	14.50	368	33.00	843	11.75	298	2013	915
40"	1000	45.75	1162	17.00	432	37.00	940	13.21	355	2541	1155
42"	1050	48.00	1219	17.00	432	41.00	1041	15.00	381	2794	1270
48"	1200	54.50	1384	20.62	524	47.00	1194	16.75	425	3960	1800
54"	1350	61.00	1549	21	540	51.50	1308	19.75	502	6160	2800
60"	1500	67.50	1715	26	660	56.00	1422	17.08	434	7784	3538

Duo-Chek® valves are available in accordance with DIN, BS, JIS, AS and ISO Dimensions. For other sizes and pressure classes contact factory. Class 125 face-to-face dimensions 2-1/2"-12" are thinner than the requirements of API 594.

## Dimensions

### Wafer Styles G (Retainered) and H (Retainerless)

ASME Class 250 (Cast Iron valves only)

Size		A		B		C		D		Weight	
in	mm	in	mm	in	mm	in	mm	in	mm	lbs.	kg.
2"	50	4 <sup>3</sup> / <sub>8</sub>	111	2 <sup>1</sup> / <sub>8</sub>	54	1 <sup>15</sup> / <sub>16</sub>	49	3 <sup>1</sup> / <sub>32</sub>	2	5	3
2 <sup>1</sup> / <sub>2</sub> "	65	5 <sup>1</sup> / <sub>8</sub>	130	2 <sup>3</sup> / <sub>8</sub>	60	2 <sup>11</sup> / <sub>32</sub>	60	3 <sup>3</sup> / <sub>8</sub>	10	11	5
3"	80	5 <sup>7</sup> / <sub>8</sub>	149	2 <sup>5</sup> / <sub>8</sub>	67	2 <sup>29</sup> / <sub>32</sub>	74	9 <sup>1</sup> / <sub>16</sub>	14	11	5
4"	100	7 <sup>1</sup> / <sub>8</sub>	181	2 <sup>5</sup> / <sub>8</sub>	67	3 <sup>53</sup> / <sub>64</sub>	97	9 <sup>1</sup> / <sub>16</sub>	14	14	7
5"	125	8 <sup>1</sup> / <sub>2</sub>	216	3 <sup>1</sup> / <sub>4</sub>	83	4 <sup>13</sup> / <sub>16</sub>	122	1	25	29	14
6"	150	9 <sup>1</sup> / <sub>8</sub>	251	3 <sup>3</sup> / <sub>4</sub>	95	5 <sup>49</sup> / <sub>64</sub>	146	1 <sup>1</sup> / <sub>2</sub>	38	35	16
8"	200	12 <sup>1</sup> / <sub>8</sub>	308	5	127	7 <sup>7</sup> / <sub>8</sub>	194	2 <sup>1</sup> / <sub>8</sub>	54	75	34
10"	250	14 <sup>1</sup> / <sub>4</sub>	362	5 <sup>1</sup> / <sub>2</sub>	140	9 <sup>9</sup> / <sub>16</sub>	243	3 <sup>1</sup> / <sub>16</sub>	80	113	51
12"	300	16 <sup>3</sup> / <sub>8</sub>	422	7 <sup>1</sup> / <sub>8</sub>	181	11 <sup>3</sup> / <sub>8</sub>	289	3 <sup>1</sup> / <sub>4</sub>	83	174	79
14"	350	19 <sup>1</sup> / <sub>8</sub>	486	8 <sup>3</sup> / <sub>4</sub>	222	12 <sup>1</sup> / <sub>2</sub>	318	3 <sup>3</sup> / <sub>16</sub>	81	299	136
16"	400	21 <sup>1</sup> / <sub>4</sub>	540	9 <sup>1</sup> / <sub>8</sub>	232	14 <sup>3</sup> / <sub>16</sub>	364	4 <sup>1</sup> / <sub>8</sub>	105	380	172
18"	450	23 <sup>1</sup> / <sub>2</sub>	597	10 <sup>3</sup> / <sub>8</sub>	264	16 <sup>1</sup> / <sub>8</sub>	429	4 <sup>13</sup> / <sub>16</sub>	122	510	231
20"	500	25 <sup>3</sup> / <sub>4</sub>	654	11 <sup>1</sup> / <sub>2</sub>	292	17 <sup>15</sup> / <sub>16</sub>	456	5 <sup>3</sup> / <sub>8</sub>	136	593	269
24"	600	30 <sup>1</sup> / <sub>2</sub>	775	14 <sup>1</sup> / <sub>2</sub>	318	21 <sup>9</sup> / <sub>16</sub>	548	7 <sup>1</sup> / <sub>16</sub>	179	1010	458
30"	750	37 <sup>1</sup> / <sub>2</sub>	953	17 <sup>1</sup> / <sub>2</sub>	368	28 <sup>1</sup> / <sub>4</sub>	730	8 <sup>13</sup> / <sub>16</sub>	224	1880	853
36"	900	44	1118	19	483	35	889	11 <sup>9</sup> / <sub>16</sub>	294	3573	1608
42"	1050	50 <sup>3</sup> / <sub>4</sub>	1289	22 <sup>3</sup> / <sub>8</sub>	568	41	1041	14 <sup>3</sup> / <sub>4</sub>	375	5780	2622
48"	1200	58 <sup>3</sup> / <sub>4</sub>	1492	24 <sup>3</sup> / <sub>4</sub>	629	47	1194	16 <sup>1</sup> / <sub>2</sub>	419	6572	2981

ASME Class 600

Size		A		B		C		Weight	
in	mm	in	mm	in	mm	in	mm	lbs.	kg.
2"	50	4.38	111	2.38	60	1.93	49	7	3
2 <sup>1</sup> / <sub>2</sub> "	65	5.12	130	2.62	67	2.50	64	11	5
3"	80	5.88	149	2.88	73	2.91	74	15	7
4"	100	7.63	194	3.12	79	3.82	97	26	12
6"	150	10.50	267	5.38	137	5.75	146	79	36
8"	200	12.63	321	6.50	165	7.64	194	134	61
10"	250	15.75	400	8.38	213	9.57	243	238	108
12"	300	18.00	457	9.00	229	11.38	289	332	151
14"	350	19.38	492	10.75	273	12.52	318	453	206
16"	400	22.25	565	12.00	305	14.33	364	638	290
18"	450	24.13	613	14.25	362	16.14	410	889	404
20"	500	26.88	683	14.50	368	17.95	456	1118	508
24"	600	31.13	791	17.25	438	21.57	548	2035	925
26"	650	34.12	867	18.00	457	24.78	629	1771	805
30"	750	38.25	972	19.88	505	29.16	741	3368	1531
36"	900	44.50	1130	25.00	635	34.62	880	6288	2858
42"	1050	48.00	1219	27.62	702	34.76	883	8430	3832

ASME Class 1500

Size		A		B		C		Weight	
in	mm	in	mm	in	mm	in	mm	lbs.	kg.
2"	50	5.63	143	2.75	70	1.69	43	13	6
2 <sup>1</sup> / <sub>2</sub> "	65	6.50	165	3.25	83	2.50	64	15	7
3"	80	6.88	175	3.25	83	2.64	67	24	11
4"	100	8.25	210	4.00	102	3.43	87	44	20
6"	150	11.12	282	6.25	159	5.20	132	110	50
8"	200	13.88	352	8.12	206	6.81	173	218	99
10"	250	17.12	435	9.75	248	8.50	216	396	180
12"	300	20.50	521	12.00	305	10.12	257	724	329
14"	350	22.75	578	14.00	356	11.50	292	946	430
16"	400	25.25	641	15.12	384	12.80	325	1379	627
18"	450	27.75	705	18.44	468	13.74	349	1899	863
20"	500	29.75	756	21.00	533	19.02	483	2743	1247
24"	600	35.50	902	22.00	559	18.27	464	4400	2000

ASME Class 300

Size		A		B		C		Weight	
in	mm	in	mm	in	mm	in	mm	lbs.	kg.
2"	50	4.38	111	2.38	60	1.93	49	7	3
2 <sup>1</sup> / <sub>2</sub> "	65	5.12	130	2.62	67	2.50	64	11	5
3"	80	5.88	149	2.88	73	2.91	74	15	7
4"	100	7.13	181	2.88	73	3.82	97	18	8
5"	125	8.50	216	3.38	99	4.27	108	35	16
6"	150	9.88	251	3.88	99	5.75	146	44	20
8"	200	12.13	308	5.00	127	7.64	194	81	37
10"	250	14.25	362	5.75	146	9.57	243	125	57
12"	300	16.63	422	7.12	181	11.38	289	200	91
14"	350	19.13	486	8.75	222	12.52	318	323	147
16"	400	21.25	540	9.12	232	14.33	364	414	188
18"	450	23.50	597	10.38	264	16.89	429	554	252
20"	500	25.75	654	11.50	292	17.95	456	724	329
24"	600	30.50	775	12.50	318	21.57	548	1098	499
26"	650	32.88	835	12.50	318	-	-	1602	728
28"	700	35.38	899	14.50	368	28.58	726	1857	844
30"	750	37.50	953	14.50	368	30.18	767	2046	930
32"	800	39.63	1007	14.50	368	30.18	767	2818	1281
36"	900	44.00	1118	19.00	483	33.64	854	3566	1621
40"	1000	43.88	1114	21.50	546	-	-	4774	2170
42"	1050	45.88	1165	22.38	568	38.97	990	5768	2622
48"	1200	52.12	1324	24.75	629	44.26	1124	6558	2981

ASME Class 900

Size		A		B		C		Weight	
in	mm	in	mm	in	mm	in	mm	lbs.	kg.
2"	50	5.63	143	2.75	70	1.69	43	13	6
2 <sup>1</sup> / <sub>2</sub> "	65	6.50	165	3.25	83	2.50	64	15	7
3"	80	6.63	168	3.25	83	2.64	67	24	11
4"	100	8.12	206	4.00	102	3.43	87	40	18
6"	150	11.38	289	6.25	159	5.20	132	114	52
8"	200	14.12	359	8.12	206	6.81	173	229	104
10"	250	17.12	435	9.50	241	8.50	216	387	176
12"	300	19.63	498	11.50	292	10.12	257	539	245
14"	350	20.50	521	14.00	356	11.50	292	924	420
16"	400	22.63	575	15.12	384	12.80	325	1151	523
18"	450	25.12	638	17.75	451	14.45	367	1316	598
20"	500	27.50	699	17.75	451	17.95	456	1423	647
24"	600	33.00	838	19.50	495	21.50	546	2724	1238

ASME Class 2500

Size		A		B		C		Weight	
in	mm	in	mm	in	mm	in	mm	lbs.	kg.
2"	50	5.75	146	2.75	70	1.69	43	15	7
2 <sup>1</sup> / <sub>2</sub> "	65	6.50	165	3.25	83	2.50	64	22	10
3"	80	7.75	197	3.38	86	2.64	67	31	14
4"	100	9.25	235	4.12	105	3.43	87	55	25
6"	150	12.50	318	6.25	159	5.20	132	189	86
8"	200	15.25	387	8.12	206	6.81	173	284	129
10"	250	18.75	476	10	254	8.50	216	502	228
12"	300	21.62	549	12	305	10.12	257	961	437