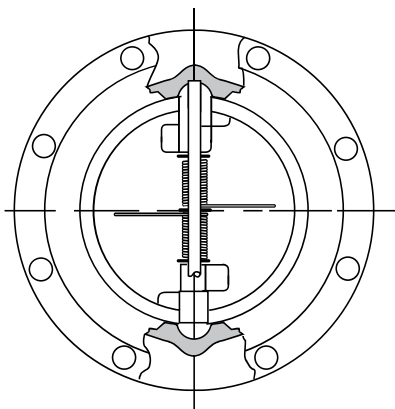


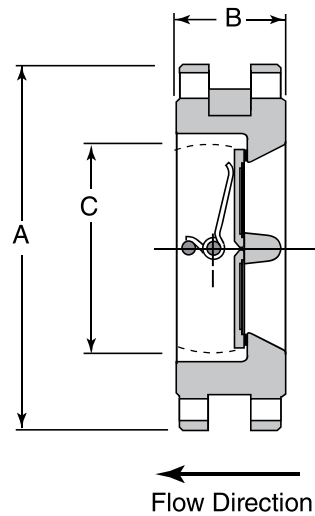
Dimensions

Style H Double-Flanged Retainerless

Double-Flanged Style Valves bolt up similar to a bolted cap swing check or gate valve. Double-Flanged versions are offered as standard on larger size valves where the lay length of the body permits installation of two heavy nuts between the flanges. These valves are standard retainerless design.



Pin must be vertical for horizontal flow.



ASME Class 150

Size		A		B		C		Weight	
in	mm	in	mm	in	mm	in	mm	lbs.	kg.
2"	50	6.00	150	4.50	114	1.69	43	22	10
3"	80	7.50	190	4.75	121	2.01	51	37	17
4"	100	9.00	230	4.75	121	3.82	97	44	20
6"	150	11.00	280	5.13	130	4.72	120	77	35
8"	200	13.50	345	5.00	127	7.32	186	92	42
10"	250	16.00	405	5.75	146	9.17	233	189	86
12"	300	19.00	485	7.12	181	10.83	275	308	140
14"	350	21.00	535	7.25	184	11.89	302	352	160
16"	400	23.50	595	7.50	190	13.58	345	495	225
18"	450	25.00	635	8.00	203	15.28	388	550	250
20"	500	27.50	700	8.62	219	17.01	432	660	300
24"	600	32.00	815	8.75	222	20.39	518	856	389
26"	650	34.25	870	8.75	222	20.40	518	1232	560
28"	700	36.50	925	12.00	305	26.50	673	1386	630
30"	750	38.75	985	12.00	305	29.25	743	1628	740
32"	800	41.75	1060	14.00	356	29.13	740	2270	1032
36"	900	46.00	1170	14.50	368	32.83	834	2519	1145
40"	1000	50.75	1290	17.00	432	33.54	852	3637	1653
42"	1050	53.00	1345	17.00	432	35.67	906	4154	1888
48"	1200	59.50	1510	20.62	524	36.18	919	5867	2667

ASME Class 300

Size		A		B		C		Weight	
in	mm	in	mm	in	mm	in	mm	lbs.	kg.
2"	50	6.50	165	4.50	114	1.54	39	22	10
3"	80	8.25	210	4.75	121	2.99	76	46	21
4"	100	10.00	255	4.75	121	3.82	97	68	31
6"	150	12.50	320	5.12	130	5.63	143	112	51
8"	200	15.00	380	6.00	152	7.32	186	167	76
10"	250	17.50	445	7.00	178	7.62	194	308	140
12"	300	20.50	520	7.12	181	10.83	275	464	211
14"	350	23.00	585	8.75	222	11.89	302	592	269
16"	400	25.50	650	9.12	232	13.58	345	770	350
18"	450	28.00	710	10.38	264	15.31	389	968	440
20"	500	30.50	775	11.50	292	17.01	432	1074	488
24"	600	36.00	915	12.50	318	20.39	518	1509	686
26"	650	38.25	970	12.50	318	22.10	561	1151	523
28"	700	40.75	1035	14.50	368	26.50	673	2009	913
30"	750	43.00	1090	14.50	368	28.74	730	3093	1406
32"	800	45.25	1150	14.50	368	30.51	775	3703	1683
36"	900	50.00	1270	19.00	483	30.60	777	4640	2109
40"	1000	48.75	1240	21.50	546	34.00	864	7022	3192
42"	1050	50.75	1290	22.38	568	35.70	907	8650	3932
48"	1200	57.75	1465	24.75	629	40.80	1036	9929	4513

ASME Class 600

Size		A		B		C		Weight	
in	mm	in	mm	in	mm	in	mm	lbs.	kg.
2"	50	6.50	165	4.75	121	1.54	39	35	16
3"	80	8.25	210	5.63	143	1.93	49	62	28
4"	100	10.75	275	6.50	165	3.82	97	99	45
6"	150	14.00	355	7.63	194	5.83	148	180	82
8"	200	16.50	420	8.63	219	7.44	189	319	145
10"	250	20.00	510	9.63	244	9.57	243	528	240
12"	300	22.00	560	9.00	229	10.83	275	609	277
14"	350	23.75	605	10.75	273	11.89	302	825	375
16"	400	27.00	685	12.00	305	13.58	345	946	430
18"	450	29.25	745	14.25	362	14.88	378	1430	650
20"	500	32.00	815	14.50	368	17.01	432	1760	800
24"	600	37.00	940	17.25	438	20.24	514	2750	1250
30"	750	44.50	1130	19.88	505	28.74	730	3817	1735
36"	900	51.75	1315	25.00	635	36.02	915	6043	2747
42"	1050	55.25	1405	27.62	702	31.88	810	9964	4529

ASME Class 900

Size		A		B		C		Weight	
in	mm	in	mm	in	mm	in	mm	lbs.	kg.
2"	50	8.50	216	6.50	165	1.97	50	51	23
3"	80	9.50	240	6.50	165	1.69	43	77	35
4"	100	11.50	290	7.75	197	2.99	76	110	50
6"	150	15.00	380	8.63	219	5.20	132	321	146
8"	200	18.50	470	10.00	254	6.81	173	469	213
10"	250	21.50	545	10.50	267	8.50	216	616	280
12"	300	24.00	610	11.50	292	10.87	276	768	349
14"	350	25.25	640	14.00	356	11.89	302	1234	561
16"	400	27.75	705	15.12	384	13.50	343	1650	750
18"	450	31.00	785	17.75	451	14.25	362	2310	1050
20"	500	33.75	855	17.75	451	16.77	426	2860	1300
24"	600	41.00	1040	19.50	495	19.57	497	4165	1893
30"	750	48.50	1230	19.88	635	24.65	626	6486	2948
36"	900	57.50	1460	28.25	711	30.60	777	9005	4093

Notes:

- Please consult factory for other sizes and pressure classes available.
- Consult factory for dimensions and weights not shown.

