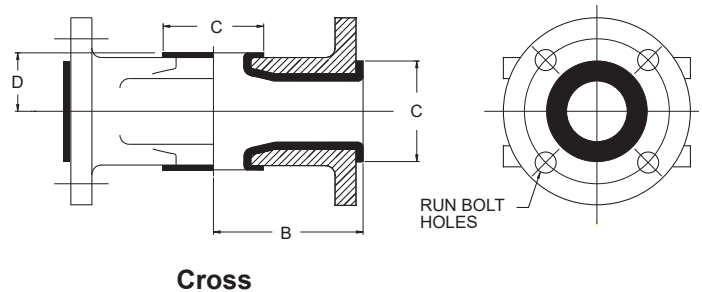
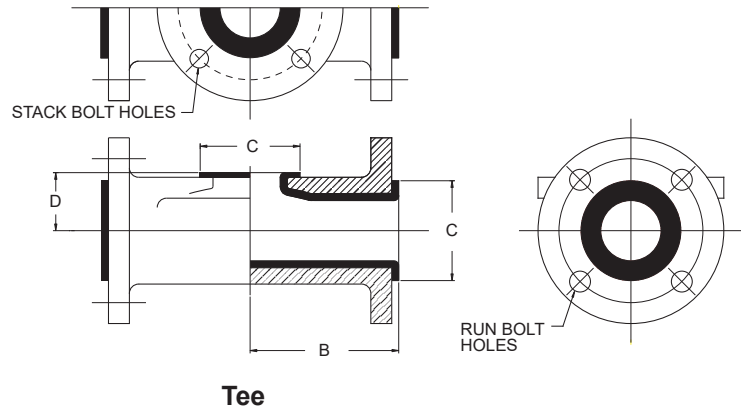


# DI Short Stack Tees and Crosses, PFA and PTFE-Lined

Construction is cast DI with fixed flanges.  
 ATL is not available in this fitting.  
 FV = Full Vacuum

\* All bolt holes are tapped  
 \*\* The 4 holes closest to centerline are tapped.  
 The other bolt holes are bored smooth.



ASME B16.5 Class 150 Flanged															
Size (NPS)	Size (DN)	Dimensions						Flange Drilling		Vacuum Rating (in. Hg at °F)		Weight			
		B		C		D		Run Bolt Holes	Stack Bolt Holes	Tee	Cross	Tee		Cross	
		Inch	mm	Inch	mm	Inch	mm					lbs.	kg	lbs.	kg
1	25	3 1/2	89	2	51	1 3/16	30	1/2 - 13	1/2 - 13*	FV/450	FV/300	9	4.1	11	5
1 1/2	40	4	102	2 7/8	73	1 15/32	37	1/2 - 13	1/2 - 13*	FV/450	FV/250	11.5	5.2	15	6.8
2	50	4 1/2	114	3 5/8	92	1 1/16	27	3/4	5/8 - 11*	FV/450	FV/250	19.5	8.9	21	9.5
3	80	5 1/2	140	5	127	2 3/16	56	3/4	5/8 - 11*	FV/350	FV/200	33	15	37	16.8
4	100	6 1/2	165	6 3/16	157	2 11/16	68	3/4	5/8 - 11**	FV/210	25/200	54	24.5	60	27.3
6	150	8	203	8 1/2	216	3 1/16	78	7/8	3/4 - 10**	No Vacuum	No Vacuum	85	38.6	99	45
8	200	9	229	10 5/8	270	4 15/16	125	7/8	3/4 - 10**			150	68.2	163	74.1
10	250	11	279	12 3/4	324	6	152	1	7/8 - 9**			245	111.4	270	122.7
12	300	12	305	15	381	7 1/32	179	1	7/8 - 9**			280	127.3	310	140.9

1" - 4" are PFA-lined  
 6" - 12" are PTFE-lined