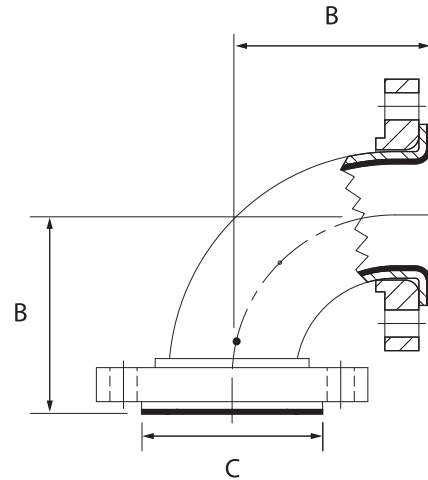


90 Degree Elbows, PTFE-Lined



CS = Carbon Steel
 DI = Ductile Iron
 FAB = Fabricated Steel
 ATL = Advanced Technology Liner

ASME B16.5 Class 150 Flanged												
Size (NPS)	Size (DN)	Dimensions				Available Construction					Weight	
		B		C		FAB with DI Rotating Flanges	FAB with CS Flanges (Fixed or Rotating)	Cast DI A395	Cast Steel A216 WCB	ATL	lbs.	kg
		Inch	mm	Inch	mm							
1/2	15	3 1/2	89	1 3/4	35		•				3	1.5
3/4	20	3 1/2	89	1 11/16	43		•				5	2.1
1	25	3 1/2	89	2	51	•	•		•	•	6	2.7
1 1/2	40	4	102	2 7/8	73	•	•		•	•	9	4
2	50	4 1/2	114	3 5/8	92	•	•		•	•	14	6.4
3	80	5 1/2	140	5	127	•	•		•	•	26	12
4	100	6 1/2	165	6 3/16	157	•	•		•	•	42	19
6	150	8	203	8 1/2	216	•	•	•	•	•	79	36
8	200	9	229	10 5/8	270	•	•	•	•	•	125	57
10	250	11	279	12 3/4	324	•	•	•	•	•	180	82
12	300	12	305	15	381	•	•	•	•	•	244	111
14	350	21 1/2	546	16 1/4	413		•				363	165
16*	400	24	610	18 1/2	470		•				422	192
18*	450	26 1/2	673	21	533		•				517	235
20*	500	29	736	23	584		•				616	280
24*	600	34	864	27 1/4	692		•				869	395

*Multi-Piece Construction - See Page 18

Note: Cast steel elbows are more economical than fabricated steel in 6" - 10" sizes.

Vacuum Rating: 1" - 12" is Full Vacuum Rated to 450 F (232 C)

14" - 24" = Consult Factory

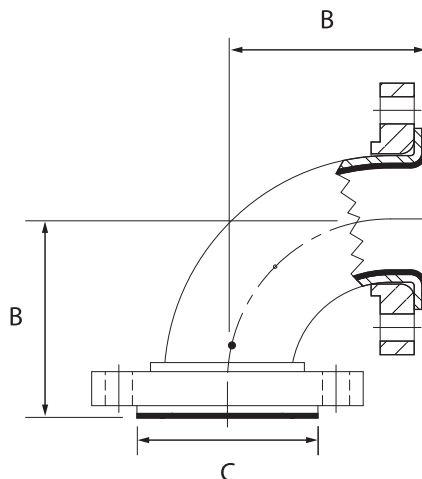
Also available in stainless steel

Weights are approximate

90 Degree Elbows, PTFE-Lined

CS = Carbon Steel
 FAB = Fabricated Steel
 ATL = Advanced Technology Liner

Note: 1" - 6" sizes can be made to Class 150 center-face dimensions
 Consult factory for Class 300 flanged fittings in 10" and larger sizes
 Also available in stainless steel
 Weights are approximate



ASME B16.5 Class 300 Flanged									
Size (NPS)	Size (DN)	Dimensions				Available Construction		Weight	
		B		C		FAB with CS Flanges (Fixed or Rotating)	ATL	lbs.	kg
		Inch	mm	Inch	mm				
1/2	15	3 1/2	89	1 3/4	35	•		5	2
3/4	20	3 1/2	89	1 11/16	43	•		8	4
1	25	4	102	2	51	•	•	8	4
1 1/2	40	4 1/2	114	2 7/8	73	•	•	14	6
2	50	5	127	3 5/8	92	•	•	18	8
3	80	6	152	5	127	•	•	35	16
4	100	7	178	6 3/16	157	•	•	62	28
6	150	8 1/2	216	8 1/2	216	•	•	115	52
8	200	10	254	10 5/8	270	•	•	187	85

Fabricated Special Angle Elbows Lined with PTFE, ETFE, or PVDF

Resistoflex can provide special angle elbows in various sizes and many configurations, in carbon steel or stainless steel. These are custom fabrications to accommodate non-standard applications that may occur in piping design. To order these elbows, please submit a sketch and/or description including pipe diameter, bend angle, and desired centerline-face dimension ("A" in diagram at right). Special angle elbows are not rated for vacuum service.

As a guide, when centerline-face dimensions are not known or provided, special angle elbows with less than 45 degree bend angle have the same centerline-face as a standard 45 degree elbow. Special angle elbows with bend angle greater than 45 degrees have the same bend angle as a standard 90 degree elbow.

