

## Reducing 90 Degree Elbows, PP / PVDF / PFA-Lined

### Vacuum Ratings:

1" - 8" PVDF-lined fittings are rated for full vacuum at 275°F.

1" - 12" Polypropylene-lined fittings with Cast DI or Cast Steel construction are rated for full vacuum at 225°F.

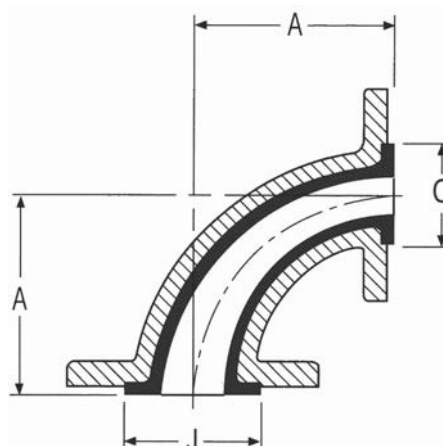
Consult factory for vacuum ratings on 14" and larger Polypropylene-lined fittings

Consult factory for vacuum ratings on PFA-lined fittings.

Fittings shown as Cast DI or Cast Steel have fixed flanges

PP/PVDF lined fittings available in CS with rotating flanges

PP/PVDF lined fittings available in SS with fixed or rotating flanges



ASME B16.5 Class 150 Flanged												
Size (NPS)	Size (DN)	Dimensions						PP	PVDF	PFA	Weight	
		A		J		C		Cast Steel A216 WCB				
		Inch	mm	Inch	mm	Inch	mm				lbs.	kg
1 1/2	1	4	102	2 7/8	73	2	51	●	●	●	7.1	3.2
2	1	4 1/2	114	3 5/8	92	2	51	●	●	●	9.3	4.2
	1 1/2					2 7/8	73	●	●	●	11.8	5.4
3	1	5 1/2	140	5	127	2	51	●	●	●	14.9	6.8
	1 1/2					2 7/8	73	●	●	●	16.9	7.7
	2					3 5/8	92	●	●	●	19	8.6
4	1	6 1/2	165	6 3/16	157	2	51	●	●	●	22.1	10
	1 1/2					2 7/8	73	●	●	●	24.8	11.3
	2					3 5/8	92	●	●	●	26.5	12
	3					5	127	●	●	●	33	15
6	2	8	203	8 1/2	216	3 5/8	92	●	●		44	20
	3					5	127	●	●		45	20.5
	4					6 3/16	157	●	●		52	23.6
8	4	9	229	10 5/8	270	6 3/16	157	●	●		85	38.6
	6					8 1/2	216	●	●		89	40.5

PP-lined fittings larger than 12" are available as rotationally-lined in standard and custom configurations up to NPS 24 (DN 600).