

## Concentric Reducers, PP / PVDF / PFA-Lined

### Vacuum Ratings:

1" - 8" PVDF-lined fittings are rated for full vacuum at 275°F.

1" - 12" Polypropylene-lined fittings with Cast DI or Cast Steel construction are rated for full vacuum at 225°F.

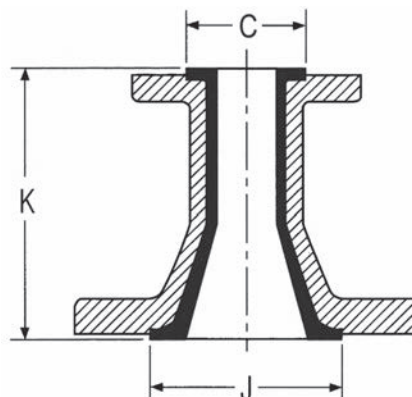
Consult factory for vacuum ratings on 14" and larger Polypropylene-lined fittings

Consult factory for vacuum ratings on PFA-lined fittings.

Fittings shown as Cast DI or Cast Steel have fixed flanges

PP/PVDF lined fittings available in CS with rotating flanges

PP/PVDF lined fittings available in SS with fixed or rotating flanges



ASME B16.5 Flanged													
Major Size NPS (DN)	Minor Size NPS (DN)	Dimensions (same for Class 150 and Class 300)			PP			PVDF			PFA	Weight	
		K	J	C	Class 150 Cast DI A395	Class 150 Cast Steel A216 WCB	Class 300 Cast Steel A216 WCB	Class 150 Cast DI A395	Class 150 Cast Steel A216 WCB	Class 300 Cast Steel A216 WCB	Class 150 Cast Steel A216 WCB	lbs.	kg
		Inch (mm)	Inch (mm)	Inch (mm)									
1 1/2 (40)	1 (25)	4 1/2 (114)	2 7/8 (73)	2 (51)	•	•	•	•	•	•	•	6.5	3
2 (50)	1 (25)	5 (127)	3 5/8 (92)	2 (51)	•	•	•	•	•	•	•	9	4.1
	1 1/2 (40)			2 7/8 (73)	•	•	•	•	•	•	•	11	5
3 (80)	1 (25)	6 (152)	5 (127)	2 (51)	•	•	•	•	•	•	•	14	6.4
	1 1/2 (40)			2 7/8 (73)	•	•	•	•	•	•	•	15	6.8
	2 (50)			3 5/8 (92)	•	•	•	•	•	•	•	17	7.7
4 (100)	1 (25)	7 (178)	6 3/16 (157)	2 (51)	•	•		•	•		•	22	10
	1 1/2 (40)			2 7/8 (73)	•	•		•	•		•	25	11.4
	2 (50)			3 5/8 (92)	•	•	•	•	•	•	•	27	12.3
	3 (80)			5 (127)	•	•	•	•	•	•	•	33	15
6 (150)	1 (25)	9 (229)	8 1/2 (216)	2 (51)		•			•			42	19.1
	1 1/2 (40)			2 7/8 (73)		•			•			42	19.1
	2 (50)			3 5/8 (92)	•	•	•	•	•	•		42	19.1
	3 (80)			5 (127)	•	•	•	•	•	•		44	20
	4 (100)			6 3/16 (157)	•	•	•	•	•	•		52	23.6
8 (200)	1 (25)	11 (279)	10 5/8 (270)	2 (51)		•			•			46	20.9
	1 1/2 (40)			2 7/8 (73)		•			•			59	26.8
	2 (50)			3 5/8 (92)		•			•			63	28.6
	3 (80)			5 (127)	•	•			•			70	31.8
	4 (100)			6 3/16 (157)	•	•			•	•		83	37.7
	6 (150)			8 1/2 (216)	•	•			•	•		80	36.4

PP-lined fittings larger than 12" are available as rotationally-lined in standard and custom configurations up to NPS 24 (DN 600).

## Concentric Reducers, PP-Lined

### Vacuum Ratings:

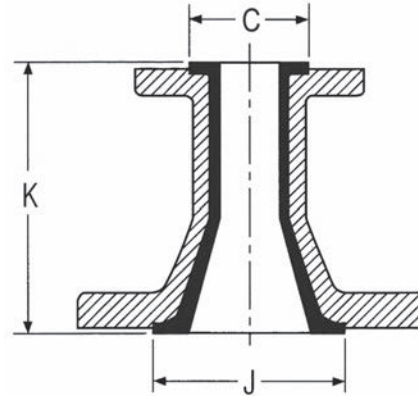
10" Polypropylene-lined fittings with Cast DI or Cast Steel construction are rated for full vacuum at 225°F.

Consult factory for vacuum ratings on 12" and larger Polypropylene-lined fittings

Fittings shown as Cast Steel have fixed flanges

PP-lined fittings available in CS with rotating flanges

PP-lined fittings available in SS with fixed or rotating flanges



### ASME B16.5 Flanged

Major Size NPS (DN)	Minor Size NPS (DN)	Dimensions (same for Class 150 and Class 300)			Class 150 Cast Steel A216 WCB	Fabricated Steel	Weight			
		K	J	C			lbs.	kg		
		Inch (mm)	Inch (mm)	Inch (mm)						
10 (250)	4 (100)	12 (305)	12 3/4 (324)	6 3/16 (157)	•	•	97	44.1		
	6 (150)			8 1/2 (216)	•					
	8 (200)			10 5/8 (270)	•					
12 (300)	6 (150)	14 (356)	15 (381)	8 1/2 (216)		•	Consult Factory			
	8 (200)			10 5/8 (270)	•					
	10 (250)			12 3/4 (324)	•					
14 (350)	8 (200)	22 1/4 (565)*	16 1/4 (412)	10 5/8 (270)		•			Consult Factory	
	10 (250)			12 3/4 (324)	•					
	12 (300)			15 (381)	•					
16 (400)	10 (250)	23 1/4 (591)*	18 1/2 (470)	12 3/4 (324)		•	Consult Factory			
	12 (300)			15 (381)	•					
	14 (350)			16 1/4 (412)	•					

PP-lined fittings larger than 12" are available as rotationally-lined in standard and custom configurations up to NPS 24 (DN 600).

\*Dimension not according to ASME B16.5 Class 150. Class 150 dimension available on request.

## Eccentric Reducers, PP / PVDF / PFA-Lined

### Vacuum Ratings:

1" - 8" PVDF-lined fittings are rated for full vacuum at 275°F.

1" - 12" Polypropylene-lined fittings with Cast DI or Cast Steel construction are rated for full vacuum at 225°F.

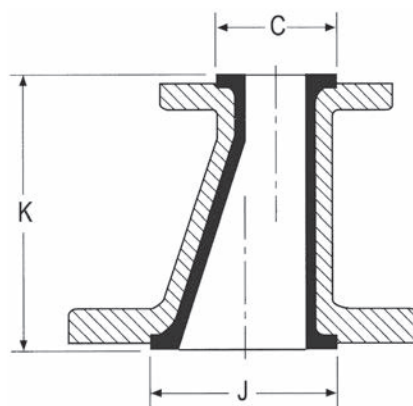
Consult factory for vacuum ratings on 14" and larger Polypropylene-lined fittings

Consult factory for vacuum ratings on PFA-lined fittings.

Fittings shown as Cast DI or Cast Steel have fixed flanges

PP/PVDF lined fittings available in CS with rotating flanges

PP/PVDF lined fittings available in SS with fixed or rotating flanges



ASME B16.5 Class 150 Flanged									
Major Size NPS (DN)	Minor Size NPS (DN)	Dimensions			PP	PVDF	PFA	Weight	
		K	J	C	Cast Steel A216 WCB			lbs.	kg
		Inch (mm)	Inch (mm)	Inch (mm)					
1 1/2 (40)	1 (25)	4 1/2 (114)	2 7/8 (73)	2 (51)	●	●	●	6.5	3
2 (50)	1 (25)	5 (127)	3 5/8 (92)	2 (51)	●	●	●	9	4.1
	1 1/2 (40)			2 7/8 (73)	●	●	●	11	5
3 (80)	1 (25)	6 (152)	5 (127)	2 (51)	●	●	●	14	6.4
	1 1/2 (40)			2 7/8 (73)	●	●	●	15	6.8
	2 (50)			3 5/8 (92)	●	●	●	17	7.7
4 (100)	1 (25)	7 (178)	6 3/16 (157)	2 (51)	●	●	●	22	10
	1 1/2 (40)			2 7/8 (73)	●	●	●	25	11.4
	2 (50)			3 5/8 (92)	●	●	●	27	12.3
	3 (80)			5 (127)	●	●	●	33	15
6 (150)	1 (25)	9 (229)	8 1/2 (216)	2 (51)	●	●		36	16.4
	1 1/2 (40)			2 7/8 (73)	●	●		42	19.1
	2 (50)			3 5/8 (92)	●	●		42	19.1
	3 (80)			5 (127)	●	●		44	20
	4 (100)			6 3/16 (157)	●	●		52	23.6
8 (200)	1 (25)	11 (279)	10 5/8 (270)	2 (51)	●	●		46	20.9
	2 (50)			3 5/8 (92)	●	●		63	28.6
	3 (80)			5 (127)	●	●		70	31.8
	4 (100)			6 3/16 (157)	●	●		83	37.7
	6 (150)			8 1/2 (216)	●	●		80	36.4

PP-lined fittings larger than 12" are available as rotationally-lined in standard and custom configurations up to NPS 24 (DN 600).

## Eccentric Reducers, PP-Lined

### Vacuum Ratings:

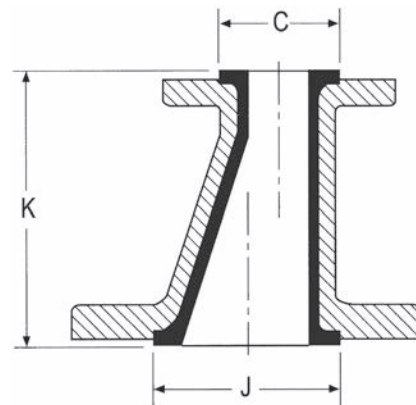
10" Polypropylene-lined fittings with Cast DI or Cast Steel construction are rated for full vacuum at 225°F.

Consult factory for vacuum ratings on 12" and larger Polypropylene-lined fittings

Fittings shown as Cast Steel have fixed flanges

PP-lined fittings available in CS with rotating flanges

PP-lined fittings available in SS with fixed or rotating flanges



ASME B16.5 Class 150 Flanged								
Major Size NPS (DN)	Minor Size NPS (DN)	Dimensions			Class 150 Cast Steel A216 WCB	Fabricated Steel	Weight	
		K	J	C			lbs.	kg
		Inch (mm)	Inch (mm)	Inch (mm)				
10 (250)	4 (100)	12 (305)	12 3/4 (324)	6 3/16 (157)		•	97	44.1
	6 (150)			8 1/2 (216)		•		
	8 (200)			10 5/8 (270)	•	•		
12 (300)	6 (150)	14 (356)	15 (381)	8 1/2 (216)		•	Consult Factory	
	8 (200)			10 5/8 (270)		•		
	10 (250)			12 3/4 (324)	•	•		
14 (350)	8 (200)	22 1/4 (565)*	16 1/4 (412)	10 5/8 (270)		•	Consult Factory	
	10 (250)	22 1/4 (565)*		12 3/4 (324)		•		
	12 (300)	22 3/4 (578)*		15 (381)		•		
16 (400)	10 (250)	23 1/4 (591)*	18 1/2 (470)	12 3/4 (324)		•	Consult Factory	
	12 (300)	23 3/4 (578)*		15 (381)		•		
	14 (350)	24 1/4 (565)*		16 1/4 (412)		•		

PP-lined fittings larger than 12" are available as rotationally-lined in standard and custom configurations up to NPS 24 (DN 600).

\*Dimension not according to ASME B16.5 Class 150. Class 150 dimension available on request.