

## 45° Laterals, PP / PVDF / PFA-Lined

### Vacuum Ratings:

1" - 8" PVDF-lined fittings are rated for full vacuum at 275°F.

1" - 12" Polypropylene-lined fittings with Cast DI or Cast Steel construction are rated for full vacuum at 225°F.

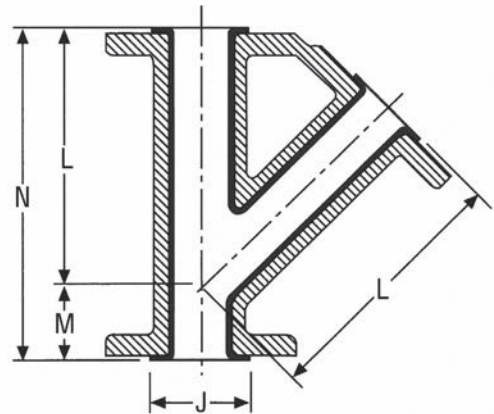
Consult factory for vacuum ratings on 14" and larger Polypropylene-lined fittings

Consult factory for vacuum ratings on PFA-lined fittings.

Fittings shown as Cast DI or Cast Steel have fixed flanges

PP/PVDF lined fittings available in CS with rotating flanges

PP/PVDF lined fittings available in SS with fixed or rotating flanges



### ASME B16.5 Class 150 Flanged

Size (NPS)	Size (DN)	Dimensions								PP	PVDF	PFA	Weight	
		L		M		N		J					Cast Steel A216 WCB	Cast Steel A216 WCB
		Inch	mm	Inch	mm	Inch	mm	Inch	mm					
1	25	5 3/4	146	1 3/4	44	7 1/2	191	2	51	●	●	●	12	5.5
1 1/2	40	7	178	2	51	9	229	2 7/8	73	●	●	●	16.5	7.5
2	50	8	203	2 1/2	64	10 1/2	267	3 5/8	92	●	●	●	24	10.9
3	80	10	254	3	76	13	330	5	127	●	●	●	45	20.5
4	100	12	305	3	76	15	381	6 3/16	157	●	●	●	84	38.2
6	150	14 1/2	368	3 1/2	89	18	457	8 1/2	216	●	●		126	57.3
8	200	17 1/2	445	4 1/2	114	22	559	10 5/8	270	●	●		216	98.2
10	250	20 1/2	521	5	127	25 1/2	648	12 3/4	324	● Fabricated Steel			Consult Factory	
12	300	24 1/2	622	5 1/2	140	30	762	15	381					
14	350	27	686	6	152	33	838	16 1/4	413					
16	400	30	762	6 1/2	165	36 1/2	927	18 1/2	470					

PP-lined fittings larger than 12" are available as rotationally-lined in standard and custom configurations up to NPS 24 (DN 600).