

45 Degree Elbows, PP / PVDF / PFA-Lined

Vacuum Ratings:

1" - 8" PVDF-lined fittings are rated for full vacuum at 275°F.

1" - 12" Polypropylene-lined fittings with Cast DI or Cast Steel construction are rated for full vacuum at 225°F.

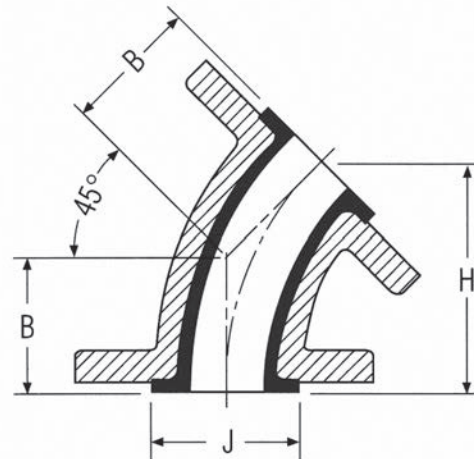
Consult factory for vacuum ratings on 14" and larger Polypropylene-lined fittings

Consult factory for vacuum ratings on PFA-lined fittings.

Fittings shown as Cast DI or Cast Steel have fixed flanges

PP/PVDF lined fittings available in CS with rotating flanges

PP/PVDF lined fittings available in SS with fixed or rotating flanges



ASME B16.5 Class 150 Flanged

Size (NPS)	Size (DN)	Dimensions				PP		PVDF		PFA	Weight	
		B		J		Cast DI A395	Cast Steel A216 WCB	Cast DI A395	Cast Steel A216 WCB	Cast Steel A216 WCB	lbs.	kg
		Inch	mm	Inch	mm							
1	25	1 3/4	45	2	51	●	●	●	●	●	5.3	2.4
1 1/2	40	2 1/4	57	2 7/8	73	●	●	●	●	●	8	3.6
2	50	2 1/2	64	3 5/8	92	●	●	●	●	●	12.1	5.5
3	80	3	76	5	127	●	●	●	●	●	21.5	9.8
4	100	4	102	6 3/16	157	●	●	●	●	●	39.5	18
6	150	5	127	8 1/2	216	●	●	●	●	●	57.5	26.1
8	200	5 1/2	140	10 5/8	270	●	●	●	●	●	98.6	44.8
10	250	6 1/2	165	12 3/4	324		●				100	45.5
12	300	7 1/2	190	15	381		●				160	72.7
14	350	14*	190	16 1/4	413	● Fabricated Steel					Consult Factory	
16	400	15 1/4*	203	18 1/2	470	● Fabricated Steel					Consult Factory	

ASME B16.5 Class 300 Flanged

Size (NPS)	Size (DN)	Dimensions				PP	PVDF	PFA	Weight
		A		J		Cast Steel A216 WCB	Cast Steel A216 WCB	Cast Steel A216 WCB	
		Inch	mm	Inch	mm				
1	25	2 1/4	57	2	51	●	●	●	Consult Factory
1 1/2	40	2 3/4	70	2 7/8	73	●	●	●	
2	50	3	76	3 5/8	92	●	●	●	
3	80	3 1/2	89	5	127	●	●	●	
4	100	4 1/2	114	6 3/16	157	●	●	●	
6	150	5 1/2	140	8 1/2	216	●	●	●	

PP-lined fittings larger than 12" are available as rotationally-lined in standard and custom configurations up to NPS 24 (DN 600).

*Dimension not according to ASME B16.5 Class 150. Class 150 dimension available on request.