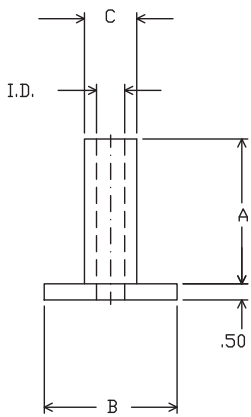
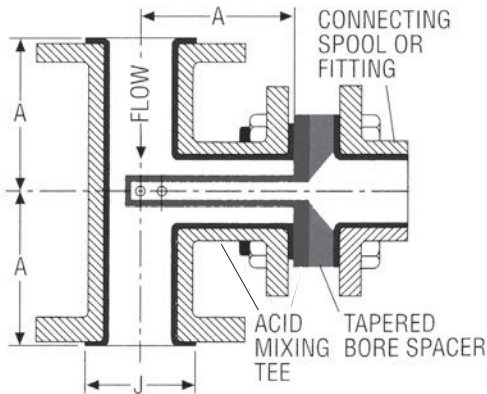
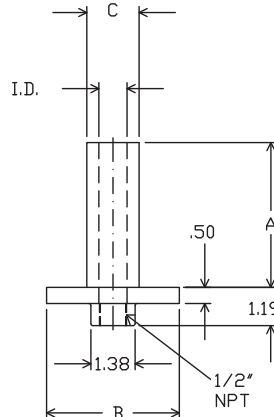


Solid PTFE Mixing Tee Nozzles for Tees and Reducing Tees

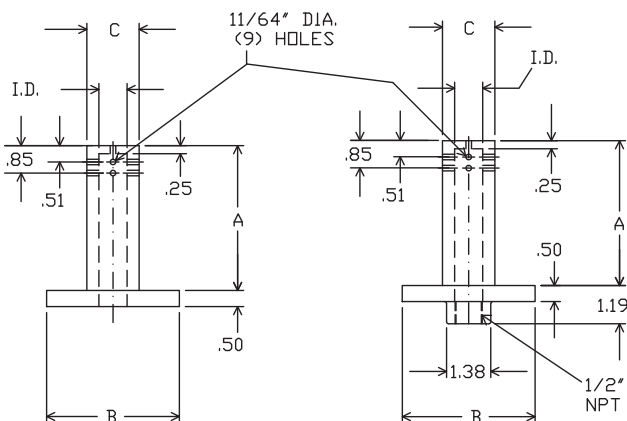
Acid mixing tees are used to introduce acid to the system. The solid PTFE nozzle is specially designed to disperse the acid uniformly into the process. Various nozzle sizes are available for different outlet diameters. The tees are made in 1" through 8" sizes for standard and reducing tees. When selecting a tee, be sure the heat of reaction does not exceed the temperature rating of the plastic liner. Note: Mixing tee nozzles purchased separately may not always fit in an existing Resistoflex tee, depending on size and construction. Mixing tees and nozzles should be purchased together to enable a factory fit.



Detail 1
(open end, no thread)
Part No.: WM0WM00000_0
Size Code



Detail 2
(open end, threaded connection)
Part No.: WM0XM00000_0
Size Code



Detail 3
(radial holes, no thread)
Part No.: WM0YM00000_0
Size Code

Detail 4
(radial holes, threaded connection)
Part No.: WM0ZM00000_0
Size Code

For Equal Tees					
Size Code	Size NPS (DN)	Dimensions, inch (mm)			
		A	B	C	ID
10	1 (25)	3 1/2 (89)	2 5/8 (67)	9/16 (14)	1/4 (6)
B0	1 1/2 (40)	4 (102)	3 3/8 (86)	1 1/8 (29)	1/2 (13)
20	2 (50)	4 1/2 (114)	4 1/8 (105)	1 3/8 (35)	7/8 (22)
C0	2 1/2 (65)	5 (127)	4 7/8 (124)	1 3/4 (44)	1 (25)
30	3 (80)	5 1/2 (140)	5 3/8 (137)	2 1/2 (64)	1 1/2 (38)
40	4 (100)	7 3/8 (187)	6 7/8 (175)	2 1/2 (64)	1 1/2 (38)
60	6 (150)	9 3/8 (238)	8 3/4 (222)	2 1/2 (64)	1 1/2 (38)
80	8 (200)	11 (279)	11 (279)	2 1/2 (64)	1 1/2 (38)

For Reducing Tees						
Size Code	Major Size NPS (DN)	Minor Size NPS (DN)	Dimensions inch (mm)			
			A	B	C	ID
B1	1 1/2 (40)	1 (25)	4 (102)	2 5/8 (67)	9/16 (14)	1/4 (6)
21	2 (50)	1 (25)	4 1/2 (114)	2 5/8 (67)	9/16 (14)	1/4 (6)
2B	2 (50)	1 1/2 (40)	4 1/2 (114)	3 3/8 (86)	1 1/8 (29)	1/2 (13)
31	3 (80)	1 (25)	5 1/2 (140)	2 5/8 (67)	9/16 (14)	1/4 (6)
3B	3 (80)	1 1/2 (40)	5 1/2 (140)	3 3/8 (86)	1 1/8 (29)	1/2 (13)
32	3 (80)	2 (50)	5 1/2 (140)	4 1/8 (105)	1 3/8 (35)	7/8 (22)
41	4 (100)	1 (25)	7 3/8 (187)	2 5/8 (67)	9/16 (14)	1/4 (6)
4B	4 (100)	1 1/2 (40)	7 3/8 (187)	3 3/8 (86)	1 1/8 (29)	1/2 (13)
42	4 (100)	2 (50)	7 3/8 (187)	4 1/8 (105)	1 3/8 (35)	7/8 (22)
43	4 (100)	3 (80)	7 3/8 (187)	5 3/8 (137)	2 1/2 (64)	1 1/2 (38)
61	6 (150)	1 (25)	9 3/8 (238)	2 5/8 (67)	9/16 (14)	1/4 (6)
6B	6 (150)	1 1/2 (40)	9 3/8 (238)	3 3/8 (86)	1 1/8 (29)	1/2 (13)
62	6 (150)	2 (50)	9 3/8 (238)	4 1/8 (105)	1 3/8 (35)	7/8 (22)
63	6 (150)	3 (80)	9 3/8 (238)	5 3/8 (137)	2 1/2 (64)	1 1/2 (38)
64	6 (150)	4 (100)	9 3/8 (238)	6 7/8 (175)	2 1/2 (64)	1 1/2 (38)
81	8 (200)	1 (25)	11 (279)	2 5/8 (67)	9/16 (14)	1/4 (6)
8B	8 (200)	1 1/2 (40)	11 (279)	3 3/8 (86)	1 1/8 (29)	1/2 (13)
82	8 (200)	2 (50)	11 (279)	4 1/8 (105)	1 3/8 (35)	7/8 (22)
83	8 (200)	3 (80)	11 (279)	5 3/8 (137)	2 1/2 (64)	1 1/2 (38)
84	8 (200)	4 (100)	11 (279)	6 7/8 (175)	2 1/2 (64)	1 1/2 (38)
86	8 (200)	6 (150)	11 (279)	8 3/4 (222)	2 1/2 (64)	1 1/2 (38)