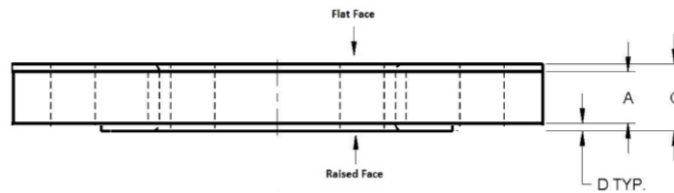
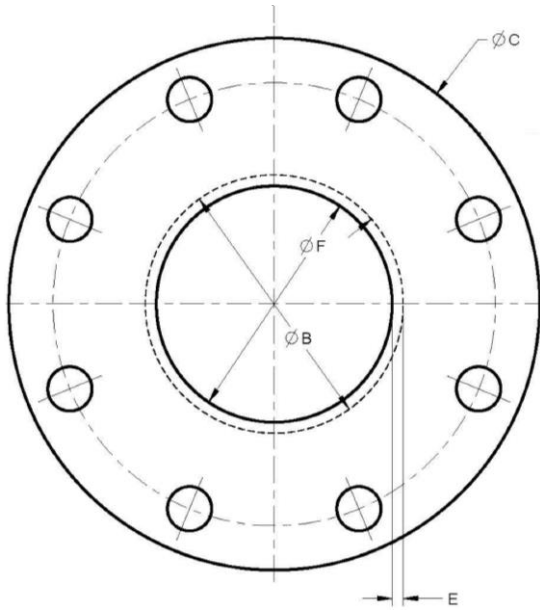


Adaptor Flanges



DIMENSION	A	B	C	D	E	F	G	H	I	J
NOMINAL PIPESIZE (NPS)	HUB THICKNESS	HUB I.D.	HUB O.D.	LINER FACE THICKNESS	LINER BORE THICKNESS	HUB I.D. W/ LINER	HUB THICKNESS W/LINER	BOLT CIRCLE DIAMETER	BOLT HOLES QTY.	BOLT HOLE ϕ
1	0.625	1.375	4.25	0.125	0.188	1	0.875	3.125	4	0.625
1.5	0.625	1.875	5	0.125	0.188	1.5	0.875	3.875	4	0.625
2	0.625	2.375	6	0.125	0.188	2	0.875	4.75	4	0.75
3	0.875	3.375	7.5	0.125	0.188	3	1.125	6	4	0.75
4	0.875	4.375	9	0.125	0.188	4	1.125	7.5	8	0.75
6	0.875	6.375	11	0.125	0.188	6	1.125	9.5	8	0.875
8	1	8.375	13.5	0.125	0.188	8	1.25	11.75	8	0.875
10	1	10.5	16	0.188	0.25	10	1.375	14.25	12	1
12	1	12.5	19	0.188	0.25	12	1.375	17	12	1