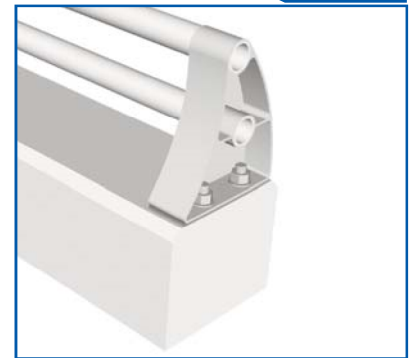


Bridge / Guard Rail Pads

Fabreeka® Guard Rail pads are used to make the installation of railings simpler and more efficient. A pad is supplied to the size of the contact area of the rail support. The pad evenly distributes the loading and hold down force from the bolts by conforming to the irregularities of the concrete surface.

During installation, the pad is set down over the protruding threaded mounting studs. The guard rail support is positioned and the rails placed. The anchor nuts can then be torqued in place and the pad will allow the support to conform to the concrete support structure. The guard rail support is held securely and reduces deformation to the support or damage to the concrete.

The pads are constructed from SA-47 which is a high quality elastomer containing a random distribution of synthetic fibers, vulcanized and cured into a slab form. High compressive strength and limited creep characteristics distinguish this material from typical unreinforced elastomeric pads. The durability of Fabreeka Bridge Rail pads makes them an excellent alternative to epoxy and grout installation methods.



Lamp Post Pads

Fabreeka® Lamp Post pads are an excellent and economical way to dampen out shock and vibration induced by wind and traffic. A flat pad is constructed from our exclusive SA-47 or Fabreeka® pad material to the exact size, shape and bolt pattern of the lamp post or highway sign base. Additionally, Fabreeka® washers and bushings are utilized to completely isolate the lamp post from transmitted vibration. Reduction in vibration means longer bulb life and less maintenance. The pads also help to evenly distribute loadings and adapt to any irregularities in the concrete mounting surfaces.

