



brands you trust.

Technical Datasheet
CENTER LINE® - Resilient Seated Butterfly Valves
Now All Ductile Iron Body Standard on Series 200

INDEX:

Series 200	2-6
Series 225-250	7-9
Series 800	10-11
Handles	12
Gear Operators	13-15
Figure Number Systems	16-19
Technical Data	20-22



Crane ChemPharma & Energy

www.cranecpe.com

Series 200 Overview

Available in sizes 2" to 48".
 Available in Wafer or Lug style body (2" to 30").
 Double flange available 28" to 48" valves.
 Wafer body features four alignment holes.
 Pressure ratings for tight shutoff at temperatures up to the maximum limit of the seat material:
 2" to 12" — 200 psi, 125 psi for PTFE/Buna seat.
 14" to 48" — 150 psi.
 Ideal for on-off or throttling services.
 Available with handles (2" to 12"), manual gear operators (2" to 48"), and electric or pneumatic actuators (2" to 48").
 Refer to Crane automation bulletin for details of pneumatic and electric actuators.
 Designed to comply with MSS SP-67 and MSS SP-25.

Compatible with ASME B16.1 and ASME B16.5 flanges.
 Valves 2" to 20" meet the intent and have passed the AWWA C-504-87 Section 5 proof of design tests.
 Type approval certification from ABS & USCG Category A for marine applications (2" to 48").
 Bi-directional dead-end capability to 200 psi (2" to 12") and 150 psi (14" to 24") is standard on lug valves.
 Operators mounted perpendicular to pipe.
 For bolting information, consult the Center Line Installation and Maintenance Manual.
 Vacuum Service Rating: zero leakage at 24" of mercury.
 Commercial cleaning available for Oxygen level 2.
 CE/PED Certification available for sizes 2" to 24".

Valve Seating Torques (In-Lbs.) 2" to 30"

Valve Size	Standard Disc Differential Pressure								Undercut Differential Pressure	
	50 PSI ΔP Bushing		100 PSI ΔP Bushing		150 PSI ΔP Bushing		200 PSI ΔP Bushing		75 PSI ΔP Bushing	
	Bronze	PTFE	Bronze	PTFE	Bronze	PTFE	Bronze	PTFE	Bronze	PTFE
2"	106	100	117	106	129	111	140	117	-	-
2½"	152	150	166	163	181	176	195	189	-	-
3"	213	207	230	220	248	232	265	244	-	-
4"	321	290	386	323	450	357	515	390	-	-
5"	481	423	598	481	715	540	832	598	-	-
6"	692	599	878	691	1,063	783	1,248	875	-	-
8"	1,326	1,060	1,716	1,183	2,106	1,307	2,496	1,430	1,124	819
10"	2,239	1,671	3,010	1,872	3,780	2,074	4,550	2,275	1,363	909
12"	3,959	2,568	4,953	2,795	5,948	3,023	6,942	3,250	2,457	1,445
14"	4,881	2,640	6,226	3,070	7,570	3,500	-	-	4,400	2,300
16"	7,020	4,260	8,580	4,880	10,140	5,500	-	-	5,900	3,600
18"	10,105	6,287	12,202	7,243	14,300	8,200	-	-	8,300	5,500
20"	13,923	8,360	16,582	9,180	19,240	10,000	-	-	11,100	6,700
24"	23,617	15,427	26,953	16,813	30,290	18,200	-	-	17,300	12,100
30"	39,721	27,313	43,391	29,407	47,060	31,500	-	-	27,300	21,100

Valve Seating Torques (In-Lbs.) 28" to 48" Double Flanged

Valve Size	Standard Disc Differential Pressure		
	50 PSI Wet	100 PSI Wet	150 PSI Wet
28"	23,718	26,639	28,957
30"	28,320	30,860	33,338
32"	32,418	35,073	38,126
36"	40,622	43,480	46,524
40"	68,924	74,048	78,995
42"	69,747	74,632	79,862
48"	96,598	103,837	111,112

All torques shown in these charts were derived from test data using water at 60°F. For torques using dry gases, multiply these numbers by 2.0. For torques involving other media, please consult the factory.

There is no safety factor included in the numbers shown on these charts. For actuator sizing, Crane recommends that these values be multiplied by 1.2 for single valve applications, or 2.0 for 3-way ("tee") applications.

For PTFE/Buna seats multiply the numbers shown by 2.0.

Under certain conditions, hydrodynamic torque can meet or exceed seating and unseating torques. When designing valve systems, hydrodynamic torque must be considered to help assure correct selection for the application.

Series 200 Temperature Ratings and Cv Values

Seat Temperature Ratings

Material	Temperature Ratings °F
Buna-N	+10 to 180
Abrasive Resistant Buna-N	+10 to 180
Neoprene	+20 to 200
EPDM (2" - 16")	-30 to 275
EPDM (18" & Above)	-30 to 225
EPDM, Food Grade (2" - 12")	-30 to 225
Viton®	+10 to 275
High Temp. Viton®	+10 to 400
PTFE over Buna-N (125 psi, 2" - 12")	+40 to 250

Although elastomers have an effective operating temperature range, when used in valves, these ranges may have to be modified. The temperature ranges shown in the table have been adjusted accordingly.

For Low Temperature: While the seat materials selected for use in Center Line butterfly valves are capable of withstanding lower temperatures without damage, the durometer of the elastomer is changed. This "hardening" of the seat may increase the operating torque beyond the structural limits of the stem and/or the disc to stem configuration.

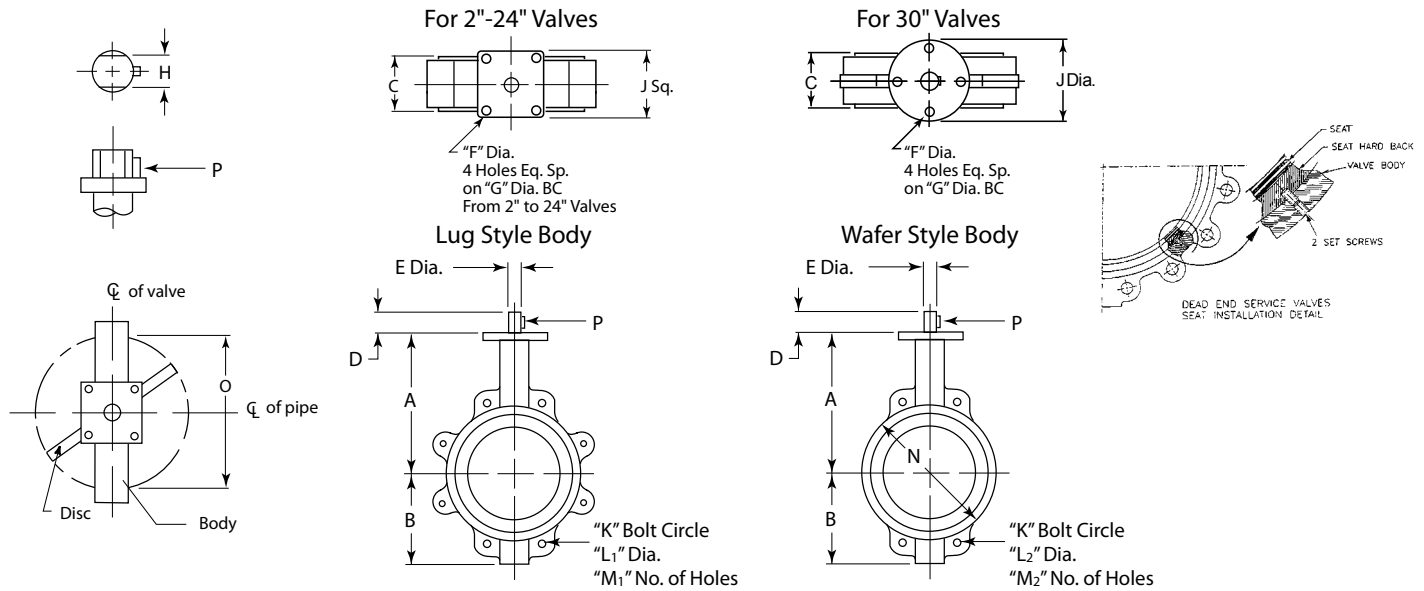
For High Temperature: When using High Temperature Viton®, the operating pressure of the valve is reduced above 275°F.

Field Replacement: Replacing seats in sizes 14" and above requires factory service.

CV Values – Valve Sizing Coefficients (US-GPM @ 1ΔP) 2" to 48"

Size	10°	20°	30°	40°	50°	60°	70°	80°	90°
2"	0.06	3	7	15	27	44	70	105	115
2 ½"	0.10	6	12	25	45	75	119	178	196
3"	0.20	9	18	39	70	116	183	275	302
4"	0.30	17	36	78	139	230	364	546	600
5"	0.50	29	61	133	237	392	620	930	1022
6"	0.80	45	95	205	366	605	958	1437	1579
8"	2	89	188	408	727	1202	1903	2854	3136
10"	3	151	320	694	1237	2047	3240	4859	5340
12"	4	234	495	1072	1911	3162	5005	7507	8250
14"	6	338	715	1549	2761	4568	7230	10844	11917
16"	8	464	983	2130	3797	6282	9942	14913	16388
18"	11	615	1302	2822	5028	8320	13168	19752	21705
20"	14	791	1647	3628	6465	10698	16931	25396	27908
24"	22	1222	2587	5605	9989	16528	26157	39236	43116
28"	36	1813	3639	6636	10000	14949	22769	34898	49500
30"	37	2080	4406	9546	17010	28147	44545	66818	73426
32"	45	2387	4791	8736	13788	20613	31395	48117	38250
36"	260	3050	6730	12740	20220	32500	52500	79600	87500
40"	84	4183	8395	15307	24159	36166	55084	84425	119750
42"	350	4095	9040	17108	27150	43640	70500	106890	117500
48"	455	5365	11840	22400	30600	51200	92300	140000	154000

Series 200 Dimensions



Dimensions 2" - 30" Wafer and Lug

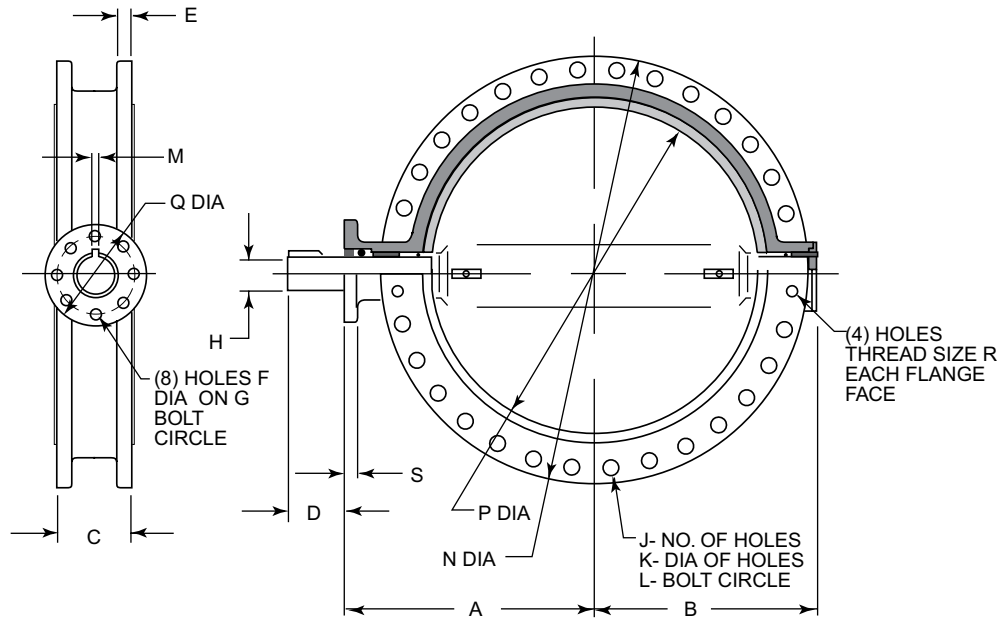
For installation and maintenance instructions, please refer to the IOM manual available at www.cranevalvet.com

Inches / mm	A	B	C	D	E	F	G	H	J	K	L ₁	L ₂	M ₁	M ₂	N	O	P
2"	6 3/8	3 3/16	1 7/8	1 1/4	1/2	3/8	2.76	0.39	2 3/4	4 3/4	5/8-11	1 1/16	4	4	4	1.26	Woodruff #3
50	161.93	80.96	47.63	31.75	12.70	9.53	70	10	69.85	120.65	17.46	17.46	4	4	101.60	32.0	
2 1/2"	6 7/8	3 1/2	2	1 1/4	1/2	3/8	2.76	0.39	2 3/4	5 1/2	5/8-11	1 1/16	4	4	4 3/4	1.83	Woodruff #3
65	174.63	88.90	50.80	31.75	12.70	9.53	70	10	69.85	139.70	17.46	17.46	4	4	120.65	46.5	
3"	7 1/8	3 3/4	2	1 1/4	1/2	3/8	2.76	0.39	2 3/4	6	5/8-11	1 1/16	4	4	5	2.54	Woodruff #3
80	180.98	95.25	50.80	31.75	12.70	9.53	70	10	69.85	152.40	17.46	17.46	4	4	127.00	64.5	
4"	7 7/8	4 1/2	2 1/8	1 1/4	5/8	3/8	2.76	0.47	2 3/4	7 1/2	5/8-11	1 1/16	8	4	6 3/4	3.54	Woodruff #9
100	200.03	114.30	53.98	31.75	15.88	9.53	70	12	69.85	190.50	17.46	17.46	8	4	158.75	89.9	
5"	8 3/8	5	2 3/8	1 3/4	3/4	3/8	2.76	0.55	2 3/4	8 1/2	3/4-10	1 3/16	8	4	7 1/2	4.36	Woodruff #9
125	212.73	127.00	60.33	31.75	19.05	9.53	70	14	69.85	215.90	20.64	20.64	8	4	190.50	110.7	
6"	8 7/8	5 1/2	2 3/4	1 3/4	3/4	3/8	2.76	0.55	2 3/4	9 1/2	3/4-10	1 3/16	8	4	8 3/8	5.72	Woodruff #9
150	225.43	139.70	60.33	31.75	19.05	9.53	70	14	69.85	241.30	20.64	20.64	8	4	212.73	145.3	
8"	10 1/4	6 7/8	2 1/2	1 3/4	7/8	7/16	4.02	0.67	3 3/4	11 3/4	3/4-10	1 3/16	8	4	10 3/8	7.6	Woodruff #9
200	260.35	174.63	63.50	44.45	22.23	11.11	102	17	95.33	298.45	20.64	20.64	8	4	269.88	193.0	
10"	11 1/2	8	2 3/4	1 3/4	1 1/8	7/16	4.02	0.87	3 3/4	14 1/4	7/8-9	1 3/16	12	4	12 1/8	9.5	Woodruff #15
250	292.10	203.20	69.85	44.45	28.58	11.11	102	22	95.33	361.95	23.81	23.81	12	4	327.03	241.3	
12"	13 1/4	9 5/8	3 1/8	1 3/4	1 1/4	7/16	4.02	0.95	3 3/4	17	7/8-9	1 3/16	12	4	15 7/8	11.45	Woodruff #15
300	336.55	244.48	79.38	44.45	31.75	11.11	102	24	95.33	431.80	23.81	23.81	12	4	403.23	290.8	
14"	14 1/2	10 1/2	3 1/8	1 3/4	1 1/4	7/16	4.02	0.95	3 3/4	18 3/4	1-8	1 1/16	12	4	17 1/8	12.78	Woodruff #15
350	368.30	266.70	79.38	44.45	31.75	11.11	102	24	95.33	476.25	26.99	26.99	12	4	434.98	324.6	
16"	15 3/4	12 1/8	3 1/2	2	1 5/16	7/8	6.50	1.06	6 1/2	21 1/4	1-8	1 1/16	16	4	19 3/4	14.97	5/8" Sq. x 1 3/4"
400	400.05	327.02	88.90	50.80	33.34	22.23	165	27	165.10	539.75	26.99	26.99	16	4	488.95	380.2	
18"	16 5/8	13 3/8	4 1/4	2	1 1/2	7/8	6.50	1.06	6 1/2	22 3/4	1 1/8-7	1 1/4	16	4	21 1/4	16.83	3/8" Sq. x 1 1/2"
450	422.28	346.08	107.95	50.80	38.10	22.23	165	27	165.10	577.85	31.75	31.75	16	4	539.75	427.5	
20"	18 1/8	15 1/8	5 3/8	2 3/4	1 3/8	7/8	6.50	1.26	6 1/2	25	1 1/8-7	1 1/4	20	4	23 3/8	18.67	3/8" Sq. x 1 3/4"
500	479.43	384.18	136.53	63.50	41.28	22.23	165	32	165.10	635.00	31.75	31.75	20	4	650.88	474.2	
24"	22 1/8	18 3/8	6 1/8	2 3/4	2	7/8	6.50	1.42	6 1/2	29 1/2	1 1/4-7	1 3/8	20	4	27 7/8	22.62	1/2" Sq. x 2 1/4"
600	561.98	466.73	155.58	69.85	50.80	22.23	165	36	165.10	749.30	34.93	34.93	20	4	708.03	574.5	
30"	25 1/2	24 3/4	6 3/4	3 1/4	2 1/2	7/8	8 1/2	N/A	11 1/4	36	1 1/4-7	1 1/4	28	4	34 7/8	28.6	5/8" Sq. x 2 5/8"
750	647.70	628.65	171.45	82.55	63.50	22.23	215.90		285.75	914.40	31.75	31.75	28	4	873.13	726.4	

L1 and M1 refer to Lug style valves, L2 and M2 refer to Wafer Style. "C" dimension is listed with elastomer in the relaxed condition. Approximately 1/8" total compression is required for proper sealing with pipe flanges. Valves are designed for installation between ASME B16.1 Class 125 (Iron) and B16.5 Class 150 (Steel) flanges. Gaskets are not needed, and should not be used since the seat face seals against the mating flange. If the valve is to be installed in between any other flanges, consult your Center Line agent or the factory for additional information. Center Line recommends that a blind flange be used on end of line applications.

"O" dimension is the valve clearance dimension.

Series 200 Dimensions



*Dimensions 28" - 48" Double Flanged

For installation and maintenance instructions, please refer to the IOM manual

	A	B	C	D	E	F	G	H	J	K	L	M	N	P	Q	R	S
28 in	24.6	20.5	6.6	3.7	2.2	0.7	10	2.5	24	1.4	34	0.7 Sq.	36.6	278	11.8	1.25 - 7	1.3
mm	626	521	165	95	54	18	254	63.4	24	35	863.4	18 Sq.	930	695	300	-	33
30 in	26.0	21.8	6.7	3.7	2.2	0.7	10	2.5	24	1.4	36	0.7 Sq.	39.4	29.8	11.8	1.25 - 7	1.3
mm	660	554	167	95	54	18	254	63.4	24	35	914.4	18 Sq.	984	744	300	-	33
32 in	26.2	23.3	7.6	3.7	2.4	0.7	10	2.5	24	1.6	39.5	0.7 Sq.	42.4	31.8	11.8	1.5 - 6	1.3
mm	666	591	190	95	60.3	18	254	63.4	24	41.3	978	18 Sq.	1060	795	300	-	33
36 in	28.4	25.6	8.1	5.1	2.4	0.7	10	3	28	1.6	42.75	0.8 Sq.	47	34.0	11.8	1.5 - 6	1.3
mm	722	650	203	130	60.3	18	254	75	28	41.3	1086	20 Sq.	1169	864.7	300	-	33
40 in	31.7	28.1	8.7	5.1	2.4	0.7	10	3.3	32	1.6	47.25	0.9 Sq.	51.6	38.6	11.8	1.5 - 6	1.5
mm	806	713	218	130	60.3	18	254	85	32	41.3	1200	22 Sq.	1289	965	300	-	38
42 in	34.1	30.3	10	5.9	2.6	0.7	10	3.3	32	1.6	49.5	0.9 Sq.	53	40.5	11.8	1.5 - 6	1.4
mm	865	770	251	150	66	18	254	85	32	41.3	1257	22 Sq.	1346	1030	300	-	35
48 in	36.9	33.7	10.9	5.9	2.8	0.9	11.7	4.1	40	1.6	56	1.1 Sq.	59.5	45.7	13.8	1.5 - 6	1.5
mm	938	855	276.4	150	70	22	298	105	40	41.3	1422	28 Sq.	1511	1160	350	-	38

*Please note that dimensions apply to standard product only.

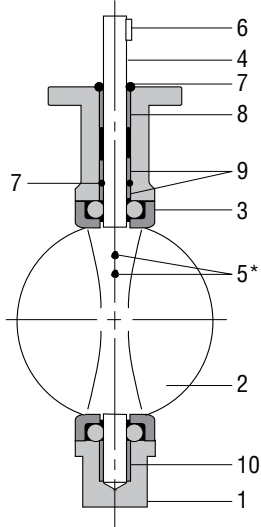
Weights 2" - 48" - lbs (kg)

	2"	2 1/2"	3"	4"	5"	6"	8"	10"	12"	14"	16"	18"	20"	24"	28"	30"	32"	36"	40"	42"	48"
Wafer	6 (2.7)	7 (3.2)	10 (4.5)	13 (5.9)	18 (8.2)	20 (9.1)	32 (14.5)	42 (19.1)	70 (31.7)	95 (43.1)	117 (53.1)	165 (74.8)	275 (124.7)	440 (199.6)	-	740 (335.7)	-	-	-	-	-
Lug	7 (3.2)	8 (3.6)	14 (6.4)	26 (11.8)	28 (12.7)	31 (14.1)	49 (22.2)	72 (32.7)	105 (47.6)	155 (70.3)	195 (88.5)	230 (104.3)	396 (179.6)	610 (276.7)	-	1050 (476.3)	-	-	-	-	-
Flanged	-	-	-	-	-	-	-	-	-	-	-	-	-	-	1173 (533)	1173 (533)	1525 (693)	1949 (886)	2141 (973)	2495 (1134)	3711 (1687)

Note: Technical data subject to change without notice.

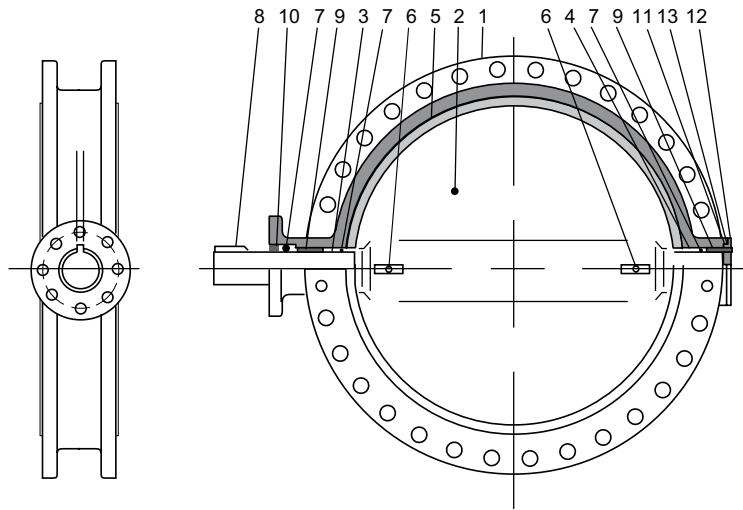
Series 200 Materials of Construction

Sizes 2"-30"



*Quantity of 3 pins required for 30" lug or wafer style valves.

Sizes 28"-48"



Bill of Materials 2" - 30"

Item	Description	Materials	Optional Materials
1	Body	Ductile Iron (A536 65-45-12)	Ductile Iron (A536 65-45-12), (A395 60-40-18)
2	Disc	Ductile Iron† (A536 65-45-12)	Aluminum Bronze (B148-C954), 316 SS (A351-CF8M), Monel® (A494-M30C)
3	Seat	Buna-N or EPDM	Neoprene, Viton®, PTFE, FDA, Abrasion Resistant
4	Shaft	416 Stainless Steel (A582-416)	316 Stainless Steel (A276/A479-316), Monel® (B164-K400 CL-B), 17-4PH (A564-630/1150)
5	Taper Pins	416 Stainless Steel (A582-416)	316 Stainless Steel (A276/A479-316), Monel® (B164-K400 CL-B), 17-4PH (A564-630/1150)
6	Key	Carbon Steel	No Option Available
7	O-Ring	Buna-N	No Option Available
8	Bushing	PTFE	Luberized Bronze
9	Bushing	PTFE	Luberized Bronze
10	Bushing	PTFE	Luberized Bronze

†ENP plated for 2"-12" valves

Bill of Materials 28" - 48"

Item	Description	Materials	Optional Materials
1	Body	Ductile Iron (A536 65-45-12)	Ductile Iron (A395 60-40-18)
2	Disc	Ductile Iron (A536 65-45-12)	Aluminum Bronze (B148-C954), 316 SS (A351-CF8M)
3	Upper Shaft	416 Stainless Steel (A582-416)	316 SS (std. w/ 316 SS disc) (A276/A479-316)
4	Lower Shaft	416 Stainless Steel (A582-416)	316 SS (std. w/ 316 SS disc) (A276/A479-316)
5	Seat	Buna-N or EPDM	Viton®
6	Taper Pin	416 Stainless Steel (A582-416)	316 Stainless Steel (A276/A479-316)
7	O-Ring	Buna-N	No Option Available
8	Key	Carbon Steel	No Option Available
9	Bushing	TFE	Luberized Bronze
10	Bushing	TFE	Luberized Bronze
11	Thrust Washer	TFE	Luberized Bronze
12	End Plate	Ductile	No Option Available
13	O-Ring	Buna-N	No Option Available

Monel® is a registered trademark of Special Metals Corporation.

Series 225 - 250 Overview

- Available in sizes 2" to 24".
- Pressure Rating: 285 psi at 100°F. Pressure/Temperature rating above 100°F with downstream flange installed. Available option: Bi-directional dead-end service capability without downstream flange to 200 psi (2" to 12") and 150 psi (14" to 24").
- Available in Wafer or Lug style body.
- Wafer body features four alignment holes.
- Available in ASME Class 300 Lug Body bolt pattern (2" to 12"). Series 225 only.
- Ideal for on-off or throttling services.
- Available with handles (2" to 6"), manual gear operators, electric actuators and pneumatic actuators (2" to 24").
- Refer to Crane automation bulletin for details of pneumatic and electric actuators.
- Compatible with ASME B16.1 Class 125 (Iron) and ASME B16.5 Class 150 (Steel) flanges or optional Class 300 (Steel) Lug only.
- Valves 14" and larger are rated at a maximum 150 psi when a companion flange is not used in dead end service.
- For bolting information, consult the Center Line Installation and Maintenance Manual.
- Vacuum Service Rating: zero leakage at 24" of mercury.
- Commercial cleaning available for Oxygen level 2.
- Type approval certification from ABS for Marine applications (2" to 24").
- CE/PED Certification available for sizes 2" to 24".

All torques shown on the chart were derived from test data using water at 60°F. For torques using dry gases, multiply these numbers by 2.0. For torques involving other media, please consult the factory.

There is no safety factor included in the numbers shown on this chart. For actuator sizing, Center Line recommends that these values be multiplied by 1.2 for single valve applications, or 2.0 for 3-way ("tee") applications.

For PTFE seats multiply the numbers shown on this chart by 2.0.

Under certain conditions, hydrodynamic torque can meet or exceed seating and unseating torques. When designing valve systems, hydrodynamic torque must be considered to help assure correct selection for the application.

Although elastomers have an effective operating temperature range, when used in valves, these ranges may have to be modified. The temperature ranges shown in the table have been adjusted accordingly.

For Low Temperature: While the seat materials selected for use in Center Line butterfly valves are capable of withstanding lower temperatures without damage, the durometer of the elastomer is changed. This "hardening" of the seat may increase the operating torque beyond the structural limits of the stem and/or the disc to stem configuration.

For High Temperature: When using High Temperature Viton®, the operating pressure of the valve is reduced above 275°F.

Field Replacement: Replacing seats in sizes 14" and above requires factory service.

Seat Temperature Ratings

Material	Temperature Rating °F
Buna-N	+10 to 180
EPDM (2"-16")	-30 to 275
EPDM (18"-24")	-30 to 225
Abrasive Resistant Buna-N	+10 to 180
Neoprene	+20 to 200
Viton®	+10 to 275
High Temperature Viton®	+10 to 400
PTFE (Series 250 only)	+40 to 250

CV Values – Valve Sizing Coefficients

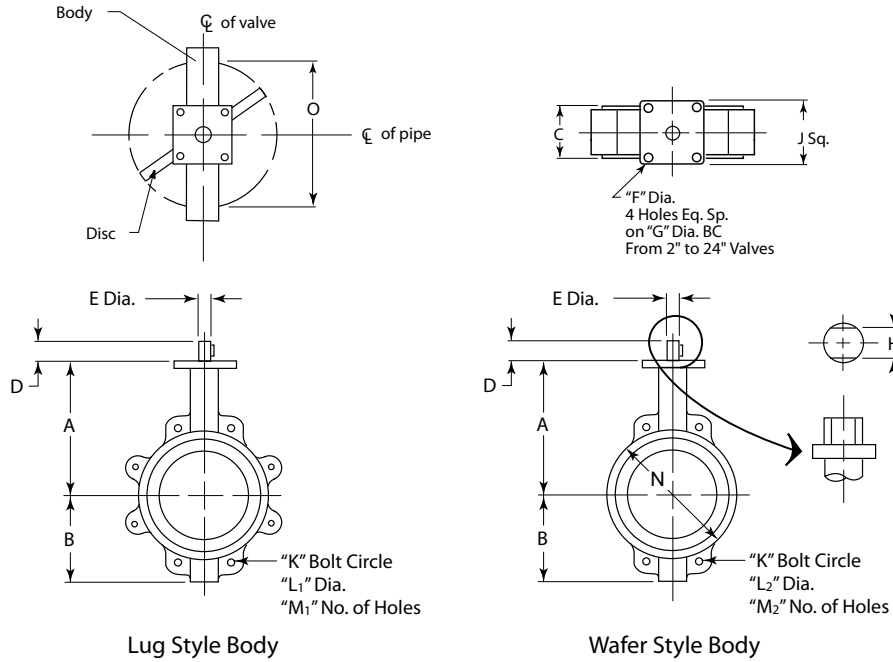
(US-GPM @ 1ΔP)

Size	10°	20°	30°	40°	50°	60°	70°	80°	90°
2"	0.06	3	7	15	27	44	70	105	115
2 1/2"	0.10	6	12	25	45	75	119	178	196
3"	0.20	9	18	39	70	116	183	275	302
4"	0.30	17	36	78	139	230	364	546	600
5"	0.50	29	61	133	237	392	620	930	1022
6"	0.80	34	94	153	257	422	706	1154	1320
8"	2	56	154	251	422	693	1158	1892	2165
10"	3	87	238	385	654	1073	1794	2931	3353
12"	4	153	417	681	1145	1879	3142	5132	5827
14"	6	183	500	816	1372	2252	3765	6150	7037
16"	8	271	740	1208	2031	3333	5573	9104	10,416
18"	11	318	867	1417	2382	3909	6535	10,676	12,215
20"	14	415	1133	1851	3112	5107	8538	13,948	15,959
24"	22	543	1482	2421	4069	6678	11,165	18,240	20,869

Valve Seating Torques (in-lbs.)

Valve Size	Standard Disc Differential Pressure				
	50 PSI	100 PSI	150 PSI	200 PSI	285 PSI
2"	136	142	148	154	164
2 1/2"	152	160	168	176	189
3"	224	229	234	239	247
4"	380	392	404	416	436
5"	451	477	503	529	572
6"	875	946	1016	1087	1206
8"	1476	1559	1642	1726	1867
10"	2451	2613	2775	2937	3213
12"	3900	4111	4323	4534	4893
14"	5189	5467	5744	6022	6494
16"	10,985	11,569	12,154	12,738	13,732
18"	13,946	14,688	15,431	16,173	17,434
20"	14,695	15,478	16,260	17,043	18,373
24"	29,738	31,321	32,903	34,486	37,176

Series 225 - 250 Dimensions

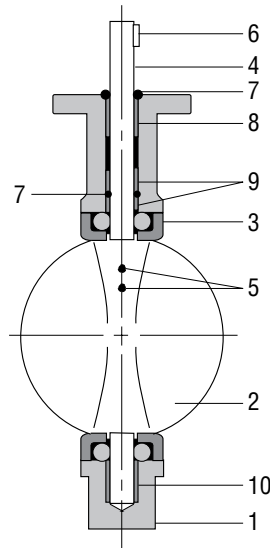


Dimensions and Weights

For installation and maintenance instructions, please refer to the IOM manual available at www.cranevalvelit.com

Inches / mm	A	B	C	D	E	F	G	H	J	K	300# K	L ₁	300# L ₁	L ₂	M ₁	300# M ₁	M ₂	N	Wafer	Lug	300# Lug	O
2"	6 3/8	3 3/16	1 7/8	1 1/4	1/2	3/8	2.76	0.39	2 3/4	4 3/4	5	5/8-11	5/8-11	11/16	4	4	4	4	6 lbs.	9 lbs.	9 lbs.	1.26
50	161.93	80.96	47.63	31.75	12.70	9.53	70	10	69.85	120.65	127.00			17.46				101.60	2.72 kg	4.08 kg	4.08 kg	32.0
2 1/2"	6 7/8	3 1/2	2	1 1/4	1/2	3/8	2.76	0.39	2 3/4	5 1/2	5 7/8	5/8-11	3/4-10	11/16	4	8	4	4 3/4	7 lbs.	13 lbs.	13 lbs.	1.83
65	174.63	88.90	50.80	31.75	12.70	9.53	70	10	69.85	139.70	149.23			17.46				120.65	3.18 kg	5.90 kg	5.90 kg	46.5
3"	7 1/8	3 3/4	2	1 1/4	1/2	3/8	2.76	0.39	2 3/4	6	6 5/8	5/8-11	3/4-10	11/16	4	8	4	5	10 lbs.	14 lbs.	14 lbs.	2.54
80	180.98	95.25	50.80	31.75	12.70	9.53	70	10	69.85	152.40	168.28			17.46				127.00	4.54 kg	6.35 kg	6.35 kg	64.5
4"	7 7/8	4 1/2	2 1/8	1 1/4	5/8	3/8	2.76	0.47	2 3/4	7 1/2	7 7/8	5/8-11	3/4-10	11/16	8	8	4	6 1/4	13 lbs.	19 lbs.	24 lbs.	3.54
100	200.03	114.30	53.98	31.75	15.88	9.53	70	12	69.85	190.50	200.03			17.46				158.75	5.90 kg	8.62 kg	10.89 kg	89.9
5"	8 3/4	5	2 3/8	1 1/4	3/4	3/8	2.76	0.55	2 3/4	8 1/2	9 1/4	3/4-10	3/4-10	13/16	8	8	4	7 1/4	18 lbs.	22 lbs.	29 lbs.	4.36
125	212.73	127.00	60.33	31.75	19.05	9.53	70	14	69.85	215.90	234.95			20.64				190.50	8.16 kg	9.98 kg	13.15 kg	110.7
6"	8 7/8	5 1/2	2 3/8	1 1/4	3/4	3/8	2.76	0.55	2 3/4	9 1/2	10 5/8	3/4-10	3/4-10	13/16	8	12	4	8 3/8	21 lbs.	31 lbs.	38 lbs.	5.74
150	225.43	139.70	60.33	31.75	19.05	9.53	70	17	69.85	241.30	269.88			20.64				212.73	9.53 kg	14.06 kg	17.24 kg	145.8
8"	10 1/4	6 7/8	2 1/2	1 3/4	7/8	7/16	4.02	0.67	3 3/4	11 3/4	13	3/4-10	7/8-9	13/16	8	12	4	10 5/8	34 lbs.	49 lbs.	67 lbs.	7.63
200	260.35	174.63	63.50	44.45	22.23	11.11	102	17	95.33	298.45	330.20			20.64				269.88	15.42 kg	22.23 kg	30.39 kg	193.8
10"	11 1/2	8	2 3/4	1 3/4	1 1/8	7/16	4.02	0.87	3 3/4	14 1/4	15 1/4	7/8-9	1-8	15/16	12	16	4	12 7/8	45 lbs.	62 lbs.	100 lbs.	9.54
250	292.10	203.20	69.85	44.45	28.58	11.11	102	22	95.33	361.95	387.35			23.81				327.03	20.41 kg	28.12 kg	45.36 kg	242.3
12"	13 1/4	9 3/8	3 1/8	1 3/4	1 1/4	7/16	4.02	0.95	3 3/4	17	17 3/4	7/8-9	1 1/2-7	15/16	12	16	4	15 1/8	74 lbs.	105 lbs.	144 lbs.	11.5
300	336.55	244.48	79.38	44.45	31.75	11.11	102	24	95.33	431.80	450.85			23.81				403.23	33.57 kg	47.63 kg	65.32 kg	292.1
14"	14 1/2	11	3 1/8	1 3/4	1 1/4	7/16	4.02	0.95	3 3/4	18 3/4	-	1-8	-	1 1/16	12	-	4	17 3/8	109 lbs.	178 lbs.	-	12.81
350	368.30	279.00	79.38	44.45	31.75	11.11	102	24	95.33	476.25	-			26.99				447.68	49.44 kg	80.74 kg	-	325.4
16"	15 3/4	12	3 1/2	2	1 3/16	7/16	6.50	1.06	6 1/2	21 1/4	-	1-8	-	1 1/16	16	-	4	20 1/4	135 lbs.	224 lbs.	-	15
400	400.05	305.00	88.90	50.80	33.34	22.23	165	27	165.10	539.75	-			26.99				514.35	61.24 kg	101.60 kg	-	381.0
18"	16 5/8	13 1/4	4 1/4	2	1 3/8	7/8	6.50	1.26	6 1/2	22 3/4	-	1 1/8-7	-	1 1/4	16	-	4	21 1/2	190 lbs.	265 lbs.	-	16.87
450	422.28	336.55	107.95	50.80	41.28	22.23	165	32	165.10	577.85	-			31.75				546.10	86.18 kg	120.20 kg	-	428.5
20"	18 7/8	14 5/8	5 3/8	2 1/2	1 5/8	7/8	6.50	1.26	6 1/2	25	-	1 1/8-7	-	1 1/8-7	20	-	4	23 3/4	316 lbs.	455 lbs.	-	18.69
500	479.43	371.48	136.53	63.50	41.28	22.23	165	32	165.10	635.00	-			-				603.25	143.34 kg	206.38 kg	-	474.7
24"	22 1/4	18	6 1/8	2 3/4	3	7/8	6.50	2.36	6 1/2	29 1/4	-	1 1/4-7	-	1 1/4-7	20	-	4	27 7/8	506 lbs.	702 lbs.	-	22.57
600	561.98	457.20	155.58	69.85	76.20	22.23	165	60	165.10	749.30	-			-				708.03	229.52 kg	318.42 kg	-	573.3

Series 225 - 250 Materials of Construction



Bill of Materials (Series 225)

Item	Description	Materials	Optional Materials
1	Body	Ductile Iron (A536 65-45-12)	Ductile Iron (A395 60-40-18)
2	Disc	Ductile Iron [†] (A536 65-45-12)	Aluminum Bronze (B148-C954), 316 SS (A351-CF8M), Monel [®] (A494-M30C)
3	Seat	Buna-N or EPDM	Neoprene, Abrasive Resistant Buna-N, Viton [®] , High Temperature Viton [®]
4	Shaft	416 Stainless Steel (A582-416)	2"-12": 17-4 PH (A564-630/1150), Monel [®] (B865-K500 CL-A)
5	Taper Pin	416 Stainless Steel (A582-416)	17-4 PH (A564-630/1150), Monel [®] (B865-K500 CL-A)
6	Key	Carbon Steel	No Option Available
7	O-Ring	Buna-N	No Option Available
8	Bushing	PTFE	No Option Available
9	Bushing	PTFE	No Option Available
10	Bushing	PTFE	No Option Available

[†]ENP plated for 2" - 12" valves

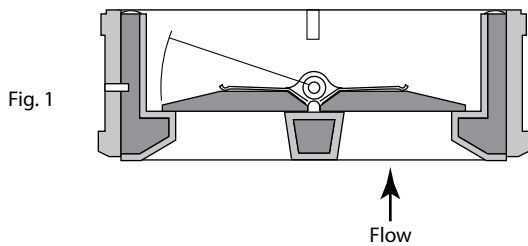
Bill of Materials (Series 250)

Item	Description	Materials	Optional Materials
1	Body	Carbon Steel (A216 GR.WCB)	316SS (A351 GR.CF8M) Carbon Steel (A-216 GR.WCB Impact Tested)*
2	Disc	316 Stainless (A351-CF8M)	Aluminum Bronze (B148-C954), Monel [®] (A494-M30C)
3	Seat	Buna-N or EPDM	Neoprene, Abrasion Resistant Buna-N, Viton [®] , High Temperature Viton [®] , PTFE
4	Shaft	316 SS (A276/A479-316)	17-4 PH (A564-630/1150), Monel [®] (B865-K500 CL-A)
5	Taper Pin	316 SS (A276/A479-316)	17-4 PH (A564-630/1150), Monel [®] (B865-K500 CL-A)
6	Key	Carbon Steel	No Option Available
7	O-Ring	Buna-N	No Option Available
8, 9, 10	Bushing	PTFE	No Option Available

*Center Line Series 250 Carbon Steel valves with CE marking are good to 0°F for non-impact tested bodies and -20°F for impact tested carbon steel bodies. Please refer to page 18 for the correct ordering code.

Series 800 Overview

- Available in sizes 2" to 20".
- Only fully elastomer lined check valve available.
- Bubble-tight shutoff from 25 to 150 psi ΔP. Lower minimum pressure available on request.
- Wide range of available elastomers; Buna-N or EPDM standard.
- Check valves compatible with ASME B16.1, Class 125 (Iron) or B16.5, Class 150 (Steel) flanges.
- Use of dual springs distributes the load force evenly across each plate, resulting in quick response to flow reversal.
- Commercial cleaning available for Oxygen level 2.
- CE/PED Certification available for sizes 2" to 24".

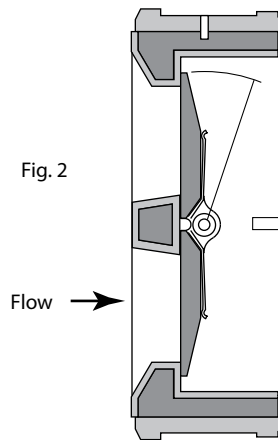


For flow going up recommended installation sizes: 2" - 20". For flow going down, consult factory.

Liner Temperature Ratings

Material	Temperature Ratings °F
Buna-N (Standard)	+10 to 180
EPDM (Standard)	-30 to 275
Neoprene	+20 to 200
Viton®	+10 to 400

Some flow media may further restrict the published temperature limits and/or significantly reduce seat life. Consult factory for additional information.



Valve should be installed with shaft in the vertical position in a horizontal pipe. This view rotated 90° for pictorial clarity.

CV Values – Valve Sizing Coefficients (US-GPM @ 1ΔP)

Valve Size	C _v	Cracking Pressure To Open Valve (Inches of Water Column)*		
		Figure 1	Figure 2	Figure 3
2"	36	14	10	5
2 ½"	62	18	12	6
3"	123	11	7	2
4"	281	10	6	2
5"	522	14	10	6
6"	1033	12	8	5
8"	2158	12	9	5
10"	3368	14	13	8
12"	5068	15	10	6
14"	6465	20	12	6
16"	9172	20	12	6
18"	12,853	16	10	—
20"	17,398	24	16	—

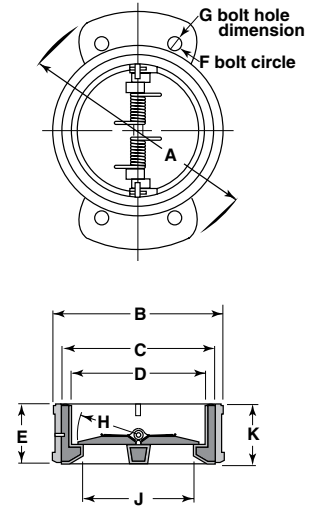
*Figures are approximate. 1" of water column = .036 psi.

Series 800 Dimensions and Materials of Construction

Dimensions (in [mm]) and Weights (lbs [kg])

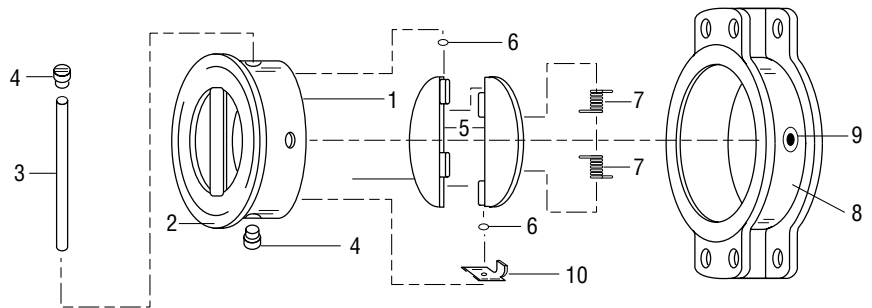
For installation and maintenance instructions, please refer to the IOM manual

Valve Size	A	B	C	D	E	F	G	H	J	K	Weight
2 (50)	6.25 (158.75)	4.35 (110.49)	3.34 (84.14)	2.62 (66.68)	2.00 (51.00)	4.81 (122.17)	0.82 (20.80)	1.12 (47.63)	1.88 (47.63)	2.12 (53.98)	5 (2.27)
2 1/2 (65)	7.00 (177.80)	5.13 (130.30)	3.9 (98.43)	3.12 (79.38)	2.00 (51.00)	5.63 (143.00)	0.82 (20.80)	1.44 (36.51)	2.31 (58.74)	2.12 (53.98)	6 (2.72)
3 (80)	7.50 (190.50)	5.50 (139.70)	4.56 (115.89)	3.62 (92.08)	2.00 (51.00)	6.20 (157.48)	0.88 (22.35)	1.62 (41.28)	2.75 (69.85)	2.12 (53.98)	8 (3.63)
4 (100)	9.25 (234.95)	5.75 (146.05)	5.62 (142.88)	4.62 (117.48)	2.37 (60.19)	7.28 (184.91)	0.94 (23.87)	2.12 (53.98)	3.44 (87.31)	2.50 (63.50)	15 (6.81)
5 (125)	10.62 (269.88)	7.62 (193.68)	6.75 (171.45)	5.69 (144.46)	2.50 (63.50)	8.44 (214.37)	0.88 (22.35)	2.66 (67.47)	4.44 (112.71)	2.62 (66.68)	20 (9.08)
6 (150)	12.00 (304.80)	8.75 (222.25)	7.88 (200.03)	6.75 (171.45)	3.00 (76.20)	9.44 (239.77)	0.88 (22.35)	3.16 (80.17)	5.56 (141.29)	3.12 (79.38)	26 (11.80)
8 (200)	14.50 (368.30)	10.62 (269.88)	10.00 (254.00)	8.75 (222.25)	3.75 (95.25)	11.66 (296.16)	0.91 (23.11)	4.16 (105.57)	7.56 (192.09)	3.88 (98.43)	43 (19.52)
10 (250)	16.88 (428.63)	13.25 (336.55)	12.12 (307.98)	10.88 (276.23)	3.86 (98.04)	14.06 (357.12)	1.14 (28.95)	5.12 (130.18)	9.06 (230.19)	4.00 (101.60)	58 (26.33)
12 (300)	19.50 (495.30)	16.00 (406.40)	14.38 (365.13)	12.88 (327.03)	5.00 (127.00)	16.14 (409.95)	1.02 (25.90)	6.25 (158.75)	10.81 (274.64)	5.12 (130.18)	100 (45.40)
14 (350)	22.50 (571.50)	17.00 (431.80)	15.62 (396.88)	14.12 (358.78)	7.00 (177.80)	18.65 (473.71)	1.72 (43.68)	6.75 (171.45)	12.06 (306.39)	7.12 (180.98)	135 (61.29)
16 (400)	24.88 (631.83)	20.12 (511.18)	17.75 (450.85)	16.12 (409.58)	6.25 (158.75)	21.25 (539.75)	1.06 (26.99)	7.75 (196.85)	14.00 (355.60)	6.38 (161.93)	170 (77.18)
18 (450)	25.25 (641.35)	21.50 (546.10)	20.00 (508.00)	18.12 (460.37)	7.13 (181.10)	22.75 (577.85)	1.19 (30.16)	8.75 (222.25)	16.00 (406.14)	7.25 (184.15)	220 (99.88)
20 (500)	27.50 (698.50)	23.50 (596.90)	21.88 (555.62)	20.12 (511.17)	8.38 (212.72)	25.00 (635.00)	1.19 (30.16)	9.75 (247.65)	18.12 (469.90)	8.50 (215.90)	287 (130.30)



Notes: Preferred mounting of check valves of any manufacturer is 8 pipe diameters downstream from the pump discharge or pipe elbow. If this is not feasible, the valve should be mounted downstream as far as possible. This recommendation is not exclusive to Center Line valves, but common practice in valve and piping engineering. Its purpose is to reduce the likelihood of turbulent flow through the valve, which could shorten valve life due to component vibration.

These dimensions reflect the universal bolting pattern valve.



Bill of Materials

Item	Description	Materials	Optional Materials
1	Valve Body	Ductile Iron	No option available
2	Liner (Molded to Item 1)	Buna-N or EPDM	Neoprene, Viton®
3	Shaft	316 Stainless Steel	Monel®
4	Shaft Plug (Qty. 2)	316 Stainless Steel	Monel®
5	Plate (Qty. 2)	2" 316 Stainless Steel 2 1/2" -5" Aluminum Bronze 6"-20" Ductile Iron	2"-12" Monel® 2 1/2"-12" 316 Stainless Steel 6"-20" Aluminum Bronze
6	Thrust Washer (Qty. 4)	PTFE	No option available
7	Spring (Qty. 2)	316 Stainless Steel	No option available
8	Alignment Body	Ductile Iron	No option available
9	Set Screw	Carbon Steel	No option available
10	Plate Travel Stop	316 Stainless Steel (14"-20")	No option available

* Items 1 and 2 must be ordered together.

Handle Features and Dimensions

Handles are available for on/off and throttling control of Center Line resilient seated butterfly valves. These handles can be used for manual actuation of 2" to 12" valves at 200 psi and for 2" to 6" valves at 285 psi. For valves larger than 8", excessive operator effort and extreme handle reaction to internal valve forces are possible. In these cases, a gear operator is recommended for safe operation.

Features

The rugged construction of Center Line handles makes them ideally suited for manually actuating smaller valves. The

latchplate permits the valve to be locked in any of the 10 positions on DIT handles or in any position on IOL handles.

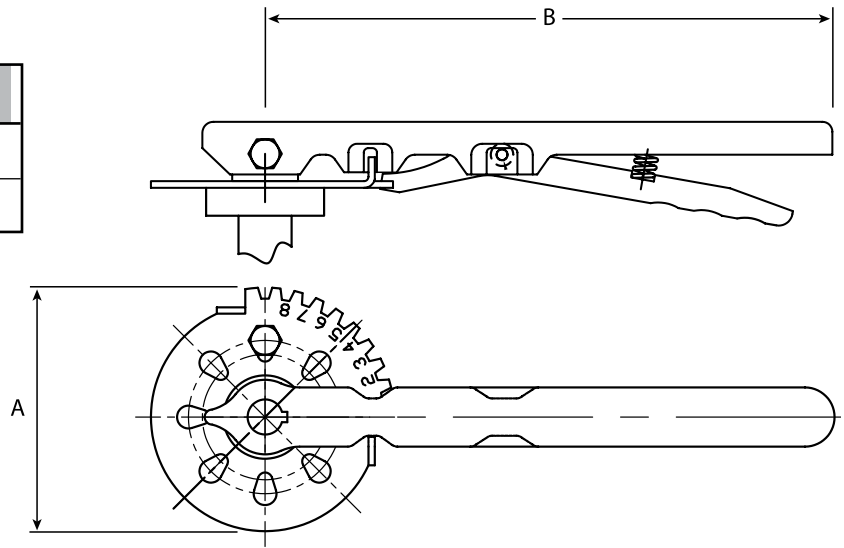
Specifications

DIT: Mechanically locks the valve in any of the 10 positions from 0° to 90° in 10° increments

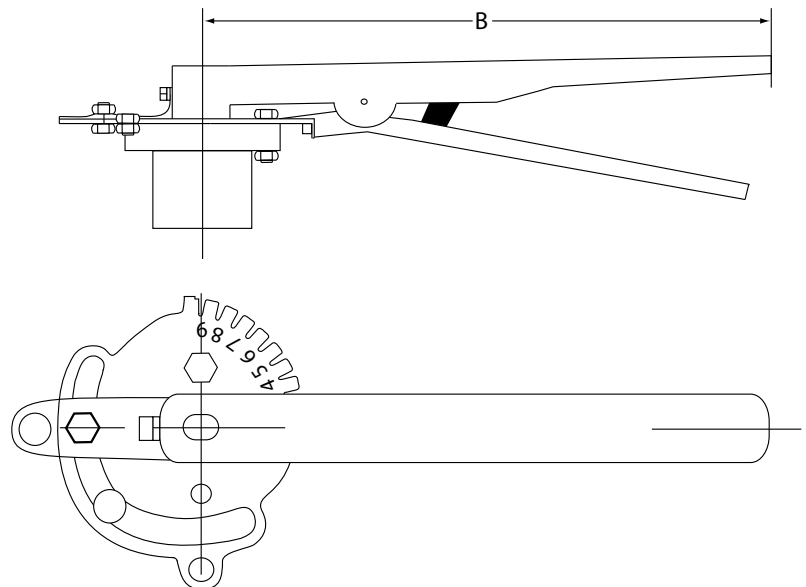
DIT/IOL: Can hold the valve in intermediate positions (32°, 68°, etc.) and can also be locked in 0° and 90° positions

Dimensions and Weights

Valve Size		A	B	Weight	
				DIT	DIT/IOL
2-6	in.	2.25	10.5	1.8	2.0
50-150	mm	57.15	266.7	0.8	0.9
8-12	in.	3.34	14.0	4.0	-
200-300	mm	84.84	355.6	1.8	-



Plates are adaptable for ISO or standard mounting flange.



Gear Operators Features and Dimensions

Gear operators can be used for on/off and throttling control of Center Line resilient seated butterfly valves. All models are weatherproof and usable for above ground service. Consult factory for buried service gears. For manual operation of valves, gear operators are required for valves 14" and larger and are recommended for valves 8" and larger.

Features

Gear operators from Center Line are 90° manual actuators, and they come with a handwheel, chainwheel, or square nut input device. The durable housing completely encloses the worm gear (on the input shaft) and the segment gear (on the output). Adjustable stops are standard and factory set when installed at

the factory. Fully adjustable memory stops are available as an option. A position indicator is standard on all models for above ground service.

Specifications

Operation: Handwheel or chainwheel or 2" square nut. Input shaft extension available.

Mounting: Available with bolt patterns and bore/keyway for direct mount to all 2" through 30" Center Line resilient seated butterfly valves. Dual bolt patterns accommodate different pad designs. Gears are drilled for ISO pattern through 24". Contact factory for 30" and above.

Dimensions and Weights

Valve Size (Drawing 1)		A	A1	C	E	F	G	H	Ø1	J	ØK	M	D	P	Q	Ø	ØD2	ØE	Weight	
in.	2-3	8.25	6.18	6.42	1.77	1.10	1.73	2.95	0.63	0.79	0.20	1.54	3.54	2.91	5.00	5.91	4.13	1.50	lb.	10.71
mm	50-80	209.5	157	163	45	28	44	75	Ø16	20	Ø5	39	Ø90	74	127	Ø150	Ø105	Ø38	kg.	4.86
in.	4	8.25	6.18	6.42	1.77	1.10	1.73	2.95	0.63	0.79	0.20	1.54	3.54	2.91	5.00	5.91	4.13	1.50	lb.	10.65
mm	100	209.5	157	163	45	28	44	75	Ø16	20	Ø5	39	Ø90	74	127	Ø150	Ø105	Ø38	kg.	4.83
in.	5-6	7.89	5.83	6.42	1.77	1.10	1.73	2.95	0.63	1.34	0.20	1.54	3.54	2.91	5.00	7.87	4.13	1.50	lb.	11.79
mm	125-150	200.5	148	163	45	28	44	75	Ø16	34	Ø5	39	Ø90	74	127	Ø200	Ø105	Ø38	kg.	5.35
in.	8	12.32	9.37	10.55	2.48	1.46	2.32	5.91	0.75	1.34	0.24	1.63	4.92	3.37	6.89	11.81	5.91	1.50	lb.	23.41
mm	200	313	238	268	63	37	59	150	Ø19	34	Ø6	41.5	Ø125	85.5	175	Ø300	Ø150	Ø38	kg.	10.62
in.	10	12.32	9.37	10.55	2.48	1.46	2.32	5.91	0.75	1.34	0.24	1.63	4.92	3.37	6.89	11.81	5.91	1.50	lb.	23.15
mm	250	313	238	268	63	37	59	150	Ø19	34	Ø6	41.5	Ø125	85.5	175	Ø300	Ø150	Ø38	kg.	10.5
in.	12-14	11.99	8.80	10.35	3.07	1.52	2.70	4.96	0.75	1.34	0.24	1.83	5.51	3.33	7.78	11.81	6.38	1.50	lb.	27.56
mm	300-350	304.5	223.5	263	78	38.5	68.5	126	Ø19	34	Ø6	46.5	Ø140	84.5	197.5	Ø300	Ø162	Ø38	kg.	12.5
in.	16	12.34	10.9	10.35	3.07	1.52	2.70	4.96	0.75	1.34	0.24	1.55	6.69	3.35	7.78	17.72	6.69	2.05	lb.	37.48
mm	400	313.5	277	263	78	38.5	68.5	126	Ø19	34	Ø6	39.25	Ø170	85.2	197.5	Ø450	Ø170	Ø52	kg.	17
in.	18	15.98	10.87	13.54	4.72	1.54	4.02	5.51	0.98	1.34	0.31	2.40	8.27	5.04	11.42	17.72	10.24	2.05	lb.	73.85
mm	450	406	276	344	120	39	102	140	Ø25	34	Ø8	61	Ø210	128	290	Ø450	Ø260	Ø52	kg.	33.5

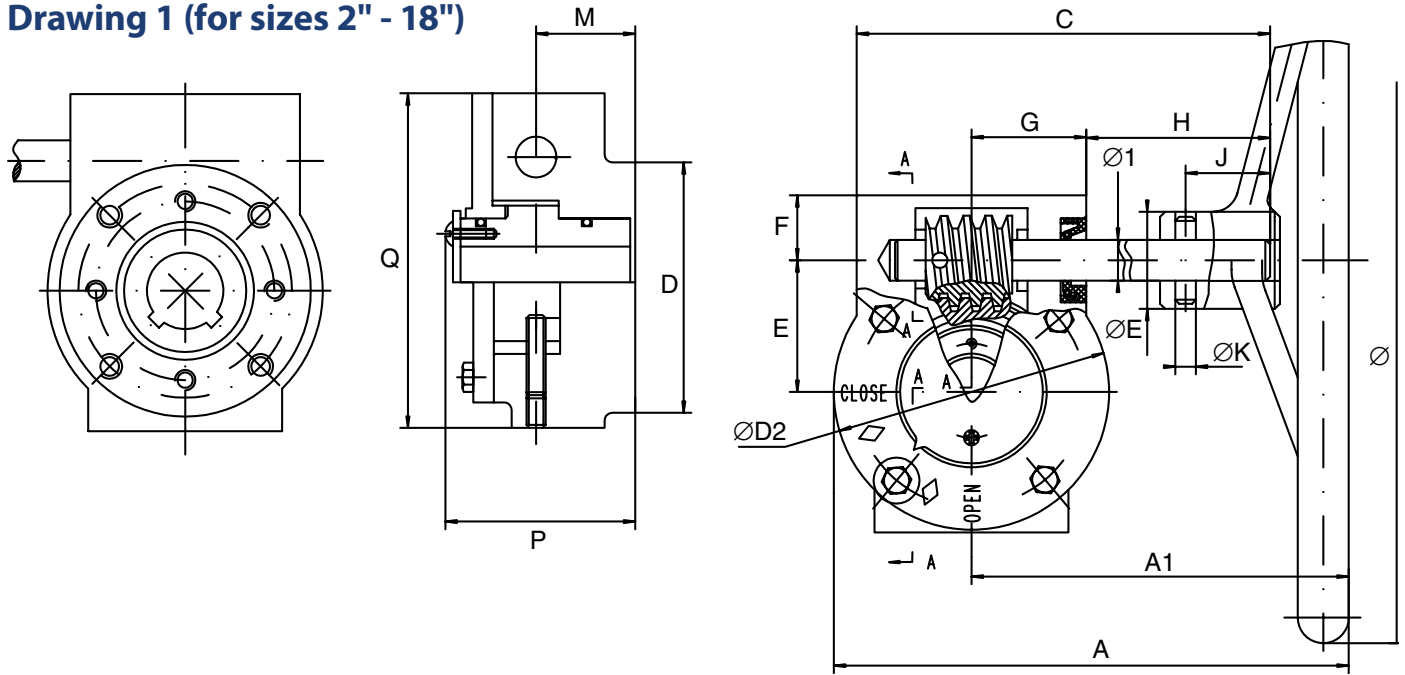
Valve Size (Drawing 2)		A	B	C	D	E	F	Ø	Ø1	Ø2	Weight	
in.	20	7.40	6.40	4.40	18.90	4.60	2.50	18.00	0.98	0.32	lb.	121.0
mm	500	185.00	160.00	110.00	473.00	115.00	63.00	450.00	25.00	8.00	kg.	(55.0)
in.	24	7.40	6.40	5.00	20.00	4.80	2.50	18.00	0.98	0.32	lb.	132.0
mm	600	185.00	160.00	125.00	500.00	120.00	63.00	450.00	25.00	8.00	kg.	(60.0)
in.	28	N/A	N/A	N/A	N/A	N/A	N/A	N/A	N/A	N/A	lb.	N/A
mm	700	N/A	N/A	N/A	N/A	N/A	N/A	N/A	N/A	N/A	kg.	N/A
in.	30	10.60	6.60	6.40	21.80	5.12	3.12	18.00	0.98	0.32	lb.	198.0
mm	750	265.00	165.00	160.00	545.00	128.00	78.00	450.00	25.00	8.00	kg.	(90.0)
in.	32	9.72	6.92	6.48	21.20	6.56	3.52	17.40	0.98	0.32	lb.	292.6
mm	800	243.00	173.00	162.00	530.00	164.00	88.00	435.00	25.00	8.00	kg.	(133.0)
in.	36	11.12	8.04	7.84	21.44	10.32	5.04	17.40	0.98	0.32	lb.	424.6
mm	900	278.00	201.00	196.00	611.00	258.00	126.00	435.00	25.00	8.00	kg.	(193.0)
in.	40	N/A	N/A	N/A	N/A	N/A	N/A	N/A	N/A	N/A	lb.	N/A
mm	1000	N/A	N/A	N/A	N/A	N/A	N/A	N/A	N/A	N/A	kg.	N/A
in.	42	16.72	10.20	9.60	25.56	12.40	5.04	17.40	0.98	0.32	lb.	792.0
mm	1050	418.00	255.00	240.00	611.00	310.00	126.00	435.00	25.00	8.00	kg.	(360.0)
in.	48	16.72	10.20	9.60	25.56	12.40	5.04	17.40	0.98	0.32	lb.	792.0
mm	1200	418.00	255.00	240.00	639.00	310.00	126.00	435.00	25.00	8.00	kg.	(360.0)



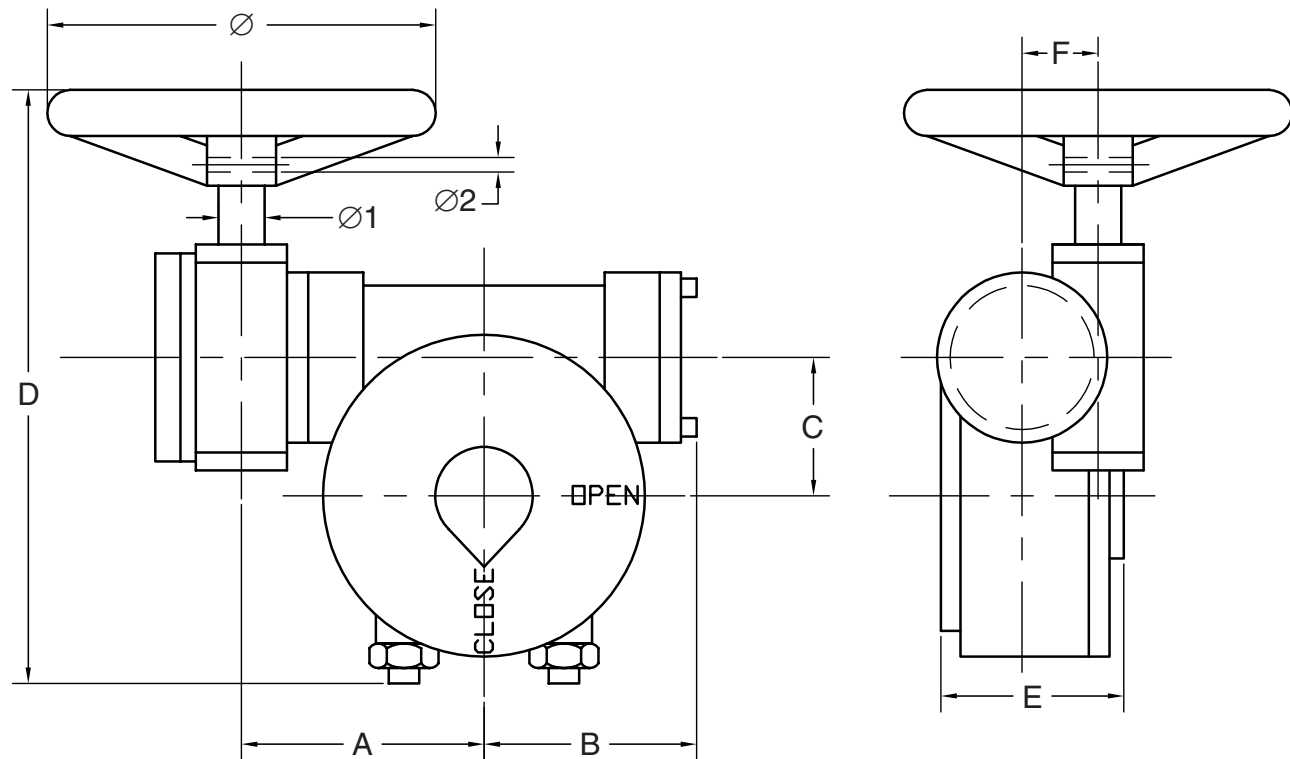
Some sizes Series 200 and 225/250 require different operators, please consult factory.

Gear Operators Dimensions

Drawing 1 (for sizes 2" - 18")

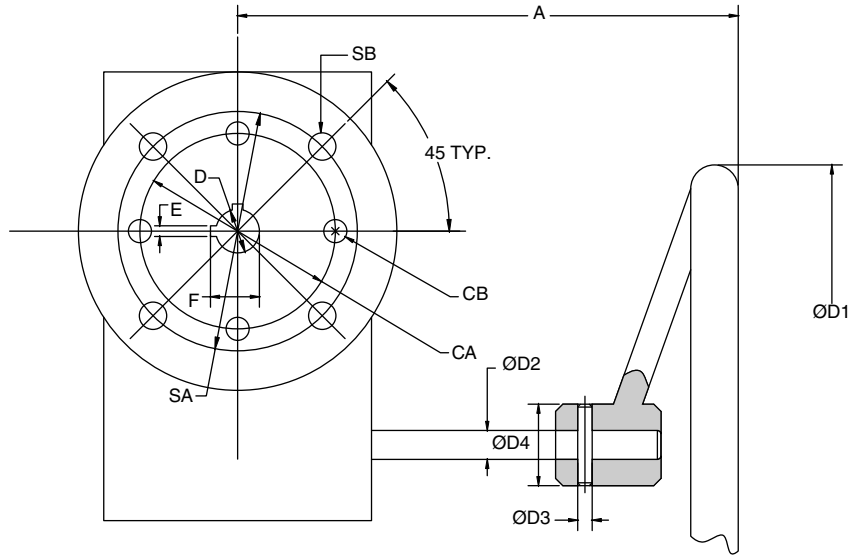


Drawing 2 (for sizes 20" and larger)



Gear Operators Dimensions

Gear Operator Drilling Patterns



Dimensions

Valve Size		CA	CB	SA	SB	D	ØD1	ØD2	ØD3	ØD4	A	E	F
in.	2	N/A	N/A	2.76	M8	0.50	5.91	0.63	0.20	1.50	6.18	0.13	0.56
mm	50			Ø70		Ø12.7							
in.	3	N/A	N/A	2.76	M8	0.50	5.91	0.63	0.20	1.50	6.18	0.13	0.56
mm	80			Ø70		Ø12.7							
in.	4	N/A	N/A	2.76	M8	0.63	5.91	0.63	0.20	1.50	6.18	0.19	0.72
mm	100			Ø70		Ø15.9							
in.	5	N/A	N/A	2.76	M8	0.75	7.87	0.63	0.20	1.50	5.83	0.19	0.84
mm	125			Ø70		Ø19.05							
in.	6	N/A	N/A	2.76	M8	0.75	7.87	0.63	0.20	1.50	5.83	0.19	0.84
mm	150			Ø70		Ø19.05							
in.	8	N/A	N/A	4.02	M10	0.87	11.81	0.75	0.24	1.50	9.37	0.19	0.96
mm	200			Ø102		Ø22.2							
in.	10	N/A	N/A	4.02	M10	1.13	11.81	0.75	0.24	1.50	9.37	0.25	1.25
mm	250			Ø102		Ø28.6							
in.	12	N/A	N/A	4.02	M10	1.25	11.81	0.75	0.24	1.50	8.80	0.25	1.38
mm	300			Ø102		Ø31.8							
in.	14	N/A	N/A	4.02	M10	1.25	11.81	0.75	0.24	1.50	8.80	0.25	1.38
mm	350			Ø102		Ø31.8							
in.	16	N/A	N/A	6.50	M20	1.31	17.72	0.75	0.24	2.05	9.00	0.31	1.47
mm	400			Ø165		Ø33.3							
in.	18	N/A	N/A	6.50	M20	1.50	17.72	0.98	0.31	2.05	10.87	0.38	1.69
mm	450			Ø165		Ø38.1							
in.	18	6.25	M18-2.5	6.50	M20-26	1.63	18.00	0.98	0.32	1.99	12.64	0.38	1.81
mm	450	158.75		165.00		41.30							
in.	20	6.25	M18-2.5	6.50	M20-26	1.63	18.00	0.98	0.32	1.99	12.64	0.38	1.81
mm	500	158.75		165.00		41.30							
in.	24	8.50	M20-2.5	6.50	M20-26	2.00	18.00	0.98	0.32	1.99	13.19	0.50	2.24
mm	600	215.90		165.00		50.80							

Series 200 Figure Number System

EXAMPLE: 02 AV02135X

2" 200 Wafer Series, Epoxy Coated Ductile Iron Body, 200 PSI, DI-ENP Disc, 416 SS Stem, PTFE Bushings, EPDM liner, No Operator (Bare Stem)

1	2	3	4	5	6	7	8	9																																																																																																																																																			
<table border="1"> <thead> <tr> <th>1. Size</th> <th>Code</th> </tr> </thead> <tbody> <tr><td>2"</td><td>02</td></tr> <tr><td>2½"</td><td>25</td></tr> <tr><td>3"</td><td>03</td></tr> <tr><td>4"</td><td>04</td></tr> <tr><td>5"</td><td>05</td></tr> <tr><td>6"</td><td>06</td></tr> <tr><td>8"</td><td>08</td></tr> <tr><td>10"</td><td>10</td></tr> <tr><td>12"</td><td>12</td></tr> <tr><td>14"</td><td>14</td></tr> <tr><td>16"</td><td>16</td></tr> <tr><td>18"</td><td>18</td></tr> <tr><td>24"</td><td>24</td></tr> <tr><td>28"</td><td>28</td></tr> <tr><td>30"</td><td>30</td></tr> <tr><td>36"</td><td>36</td></tr> <tr><td>42"</td><td>42</td></tr> <tr><td>48"</td><td>48</td></tr> </tbody> </table>	1. Size	Code	2"	02	2½"	25	3"	03	4"	04	5"	05	6"	06	8"	08	10"	10	12"	12	14"	14	16"	16	18"	18	24"	24	28"	28	30"	30	36"	36	42"	42	48"	48	<table border="1"> <thead> <tr> <th>2. Series/Style</th> <th>Code</th> </tr> </thead> <tbody> <tr><td>200 Wafer - 2" - 30"</td><td>A</td></tr> <tr><td>200 Lug - 2" - 30" DES*</td><td>C</td></tr> <tr><td>200 Flanged (28" - 48")</td><td>D</td></tr> <tr><td colspan="2">* DES = Double Dead End Service</td></tr> </tbody> </table>	2. Series/Style	Code	200 Wafer - 2" - 30"	A	200 Lug - 2" - 30" DES*	C	200 Flanged (28" - 48")	D	* DES = Double Dead End Service		<table border="1"> <thead> <tr> <th>3. Body Material</th> <th>Code</th> </tr> </thead> <tbody> <tr><td>Epoxy Coated DI - A536 (2"-12")</td><td>V</td></tr> <tr><td>Ductile Iron - A536 (14" - 48" Standard)</td><td>2</td></tr> <tr><td>Ductile Iron - A395 (2" - 30")</td><td>G</td></tr> </tbody> </table>	3. Body Material	Code	Epoxy Coated DI - A536 (2"-12")	V	Ductile Iron - A536 (14" - 48" Standard)	2	Ductile Iron - A395 (2" - 30")	G	<table border="1"> <thead> <tr> <th>4. Pressure</th> <th>Code</th> </tr> </thead> <tbody> <tr><td>200 PSI (2" - 12")</td><td>0</td></tr> <tr><td>75 PSI Undercut (8 - 20")</td><td>3</td></tr> <tr><td>150 PSI (14" - 48")</td><td>6</td></tr> <tr><td>125 PSI (2" - 12") PTFE liner</td><td>8</td></tr> </tbody> </table>	4. Pressure	Code	200 PSI (2" - 12")	0	75 PSI Undercut (8 - 20")	3	150 PSI (14" - 48")	6	125 PSI (2" - 12") PTFE liner	8	<table border="1"> <thead> <tr> <th>5. Disc</th> <th>Code</th> </tr> </thead> <tbody> <tr><td>316 SS</td><td>4</td></tr> <tr><td>DI - Epoxy Coated (2" - 48")</td><td>5</td></tr> <tr><td>Al Brnz. (2" - 48")</td><td>6</td></tr> <tr><td>Monel 400</td><td>7</td></tr> </tbody> </table>	5. Disc	Code	316 SS	4	DI - Epoxy Coated (2" - 48")	5	Al Brnz. (2" - 48")	6	Monel 400	7	<table border="1"> <thead> <tr> <th>6. Stem/Shaft</th> <th>Code</th> </tr> </thead> <tbody> <tr><td>416 SS</td><td>1</td></tr> <tr><td>316 SS *</td><td>4</td></tr> <tr><td>Monel 400</td><td>7</td></tr> <tr><td>17-4 PH</td><td>9</td></tr> <tr><td colspan="2">* Standard with 316 SS disc only</td></tr> </tbody> </table>	6. Stem/Shaft	Code	416 SS	1	316 SS *	4	Monel 400	7	17-4 PH	9	* Standard with 316 SS disc only		<table border="1"> <thead> <tr> <th>7. Bushings</th> <th>Code</th> </tr> </thead> <tbody> <tr><td>Bronze</td><td>0</td></tr> <tr><td>PTFE</td><td>3</td></tr> </tbody> </table>	7. Bushings	Code	Bronze	0	PTFE	3	<table border="1"> <thead> <tr> <th>8. Seat /Liner</th> <th>Code</th> </tr> </thead> <tbody> <tr><td>Buna-N</td><td>1</td></tr> <tr><td>EPDM</td><td>5</td></tr> <tr><td>Viton (275 F°)</td><td>6</td></tr> <tr><td>Perx. Crd. Buna-N</td><td>8</td></tr> <tr><td>PTFE/Buna-N**</td><td>L</td></tr> <tr><td>Viton (400 F°)</td><td>P</td></tr> <tr><td>White Buna-N (FDA)</td><td>W</td></tr> <tr><td colspan="2">** 2½ & 5" not available</td></tr> </tbody> </table>	8. Seat /Liner	Code	Buna-N	1	EPDM	5	Viton (275 F°)	6	Perx. Crd. Buna-N	8	PTFE/Buna-N**	L	Viton (400 F°)	P	White Buna-N (FDA)	W	** 2½ & 5" not available		<table border="1"> <thead> <tr> <th>9. Actuator</th> <th>Code</th> </tr> </thead> <tbody> <tr><td>Handle</td><td>2</td></tr> <tr><td>Gear Operator</td><td>5</td></tr> <tr><td>No Operator</td><td>X</td></tr> <tr><td>Lockable/Infinite (2" - 6")</td><td>3</td></tr> <tr><td>Infinite (8")</td><td>4</td></tr> <tr><td>Pneumatic Double Acting</td><td>6</td></tr> <tr><td>Pnue. Spring Return - Fail Close</td><td>7</td></tr> <tr><td>Pneu. Spring Return - Fail Open</td><td>8</td></tr> <tr><td>Electric</td><td>9</td></tr> <tr><td>Gear Operator/Memory Stop</td><td>G</td></tr> <tr><td>Buried Gear w/2" Sq. Nut</td><td>C</td></tr> <tr><td>2" Nut Direct to Valve Stem</td><td>D</td></tr> <tr><td>Chain Wheel</td><td>U</td></tr> </tbody> </table>	9. Actuator	Code	Handle	2	Gear Operator	5	No Operator	X	Lockable/Infinite (2" - 6")	3	Infinite (8")	4	Pneumatic Double Acting	6	Pnue. Spring Return - Fail Close	7	Pneu. Spring Return - Fail Open	8	Electric	9	Gear Operator/Memory Stop	G	Buried Gear w/2" Sq. Nut	C	2" Nut Direct to Valve Stem	D	Chain Wheel	U	<table border="1"> <thead> <tr> <th>10. Special Features</th> <th>Code</th> </tr> </thead> <tbody> <tr><td>Custom Product</td><td>D</td></tr> <tr><td>CE Marked - Non-Impact Tested</td><td>P</td></tr> </tbody> </table>	10. Special Features	Code	Custom Product	D	CE Marked - Non-Impact Tested	P
1. Size	Code																																																																																																																																																										
2"	02																																																																																																																																																										
2½"	25																																																																																																																																																										
3"	03																																																																																																																																																										
4"	04																																																																																																																																																										
5"	05																																																																																																																																																										
6"	06																																																																																																																																																										
8"	08																																																																																																																																																										
10"	10																																																																																																																																																										
12"	12																																																																																																																																																										
14"	14																																																																																																																																																										
16"	16																																																																																																																																																										
18"	18																																																																																																																																																										
24"	24																																																																																																																																																										
28"	28																																																																																																																																																										
30"	30																																																																																																																																																										
36"	36																																																																																																																																																										
42"	42																																																																																																																																																										
48"	48																																																																																																																																																										
2. Series/Style	Code																																																																																																																																																										
200 Wafer - 2" - 30"	A																																																																																																																																																										
200 Lug - 2" - 30" DES*	C																																																																																																																																																										
200 Flanged (28" - 48")	D																																																																																																																																																										
* DES = Double Dead End Service																																																																																																																																																											
3. Body Material	Code																																																																																																																																																										
Epoxy Coated DI - A536 (2"-12")	V																																																																																																																																																										
Ductile Iron - A536 (14" - 48" Standard)	2																																																																																																																																																										
Ductile Iron - A395 (2" - 30")	G																																																																																																																																																										
4. Pressure	Code																																																																																																																																																										
200 PSI (2" - 12")	0																																																																																																																																																										
75 PSI Undercut (8 - 20")	3																																																																																																																																																										
150 PSI (14" - 48")	6																																																																																																																																																										
125 PSI (2" - 12") PTFE liner	8																																																																																																																																																										
5. Disc	Code																																																																																																																																																										
316 SS	4																																																																																																																																																										
DI - Epoxy Coated (2" - 48")	5																																																																																																																																																										
Al Brnz. (2" - 48")	6																																																																																																																																																										
Monel 400	7																																																																																																																																																										
6. Stem/Shaft	Code																																																																																																																																																										
416 SS	1																																																																																																																																																										
316 SS *	4																																																																																																																																																										
Monel 400	7																																																																																																																																																										
17-4 PH	9																																																																																																																																																										
* Standard with 316 SS disc only																																																																																																																																																											
7. Bushings	Code																																																																																																																																																										
Bronze	0																																																																																																																																																										
PTFE	3																																																																																																																																																										
8. Seat /Liner	Code																																																																																																																																																										
Buna-N	1																																																																																																																																																										
EPDM	5																																																																																																																																																										
Viton (275 F°)	6																																																																																																																																																										
Perx. Crd. Buna-N	8																																																																																																																																																										
PTFE/Buna-N**	L																																																																																																																																																										
Viton (400 F°)	P																																																																																																																																																										
White Buna-N (FDA)	W																																																																																																																																																										
** 2½ & 5" not available																																																																																																																																																											
9. Actuator	Code																																																																																																																																																										
Handle	2																																																																																																																																																										
Gear Operator	5																																																																																																																																																										
No Operator	X																																																																																																																																																										
Lockable/Infinite (2" - 6")	3																																																																																																																																																										
Infinite (8")	4																																																																																																																																																										
Pneumatic Double Acting	6																																																																																																																																																										
Pnue. Spring Return - Fail Close	7																																																																																																																																																										
Pneu. Spring Return - Fail Open	8																																																																																																																																																										
Electric	9																																																																																																																																																										
Gear Operator/Memory Stop	G																																																																																																																																																										
Buried Gear w/2" Sq. Nut	C																																																																																																																																																										
2" Nut Direct to Valve Stem	D																																																																																																																																																										
Chain Wheel	U																																																																																																																																																										
10. Special Features	Code																																																																																																																																																										
Custom Product	D																																																																																																																																																										
CE Marked - Non-Impact Tested	P																																																																																																																																																										

Series 225 Figure Number System

EXAMPLE: JV52135X

225 Wafer, Ductile Iron, 285 PSI, DI-ENP, 416 SS, PTFE Bushings, EPDM Liner, No Operator

1	2	3	4	5	6	7	8	9																																																																																																																								
<table border="1"> <thead> <tr> <th>1. Size</th> <th>Code</th> </tr> </thead> <tbody> <tr><td>2"</td><td>02</td></tr> <tr><td>2½"</td><td>25</td></tr> <tr><td>3"</td><td>03</td></tr> <tr><td>4"</td><td>04</td></tr> <tr><td>5"</td><td>05</td></tr> <tr><td>6"</td><td>06</td></tr> <tr><td>8"</td><td>08</td></tr> <tr><td>10"</td><td>10</td></tr> <tr><td>12"</td><td>12</td></tr> <tr><td>14"</td><td>14</td></tr> <tr><td>16"</td><td>16</td></tr> <tr><td>18"</td><td>18</td></tr> <tr><td>20"</td><td>20</td></tr> <tr><td>24"</td><td>24</td></tr> </tbody> </table>	1. Size	Code	2"	02	2½"	25	3"	03	4"	04	5"	05	6"	06	8"	08	10"	10	12"	12	14"	14	16"	16	18"	18	20"	20	24"	24	<table border="1"> <thead> <tr> <th>2. Series/Style</th> <th>Code</th> </tr> </thead> <tbody> <tr><td>225 Wafer</td><td>J</td></tr> <tr><td>225 Lug</td><td>K</td></tr> <tr><td>225 Lug - DES*</td><td>L</td></tr> <tr><td>225 Lug CL 300 BC (2" - 12" only)</td><td>M</td></tr> <tr><td>225 Lug CL 300 BC - DES*</td><td>N</td></tr> </tbody> </table> <p>* DES = Double Dead End Service</p>	2. Series/Style	Code	225 Wafer	J	225 Lug	K	225 Lug - DES*	L	225 Lug CL 300 BC (2" - 12" only)	M	225 Lug CL 300 BC - DES*	N	<table border="1"> <thead> <tr> <th>3. Body Material</th> <th>Code</th> </tr> </thead> <tbody> <tr><td>Epoxy Coated DI - A536 (2" - 12")</td><td>V</td></tr> <tr><td>Ductile Iron - A536 (14" - 30")</td><td>2</td></tr> <tr><td>Ductile Iron - A395</td><td>G</td></tr> </tbody> </table>	3. Body Material	Code	Epoxy Coated DI - A536 (2" - 12")	V	Ductile Iron - A536 (14" - 30")	2	Ductile Iron - A395	G	<table border="1"> <thead> <tr> <th>4. Pressure</th> <th>Code</th> </tr> </thead> <tbody> <tr><td>200 PSI (2" - 12") DES*</td><td>0</td></tr> <tr><td>285 PSI (2" - 24")</td><td>5</td></tr> <tr><td>150 PSI (14" - 24") DES*</td><td>6</td></tr> </tbody> </table> <p>* DES Pressure Rating: 2" - 12" 200 CWP 14" - 24" 150 CWP</p>	4. Pressure	Code	200 PSI (2" - 12") DES*	0	285 PSI (2" - 24")	5	150 PSI (14" - 24") DES*	6	<table border="1"> <thead> <tr> <th>5. Disc</th> <th>Code</th> </tr> </thead> <tbody> <tr><td>DI - ENP (2" - 12")</td><td>2</td></tr> <tr><td>316 SS</td><td>4</td></tr> <tr><td>DI - (14" - 24")</td><td>5</td></tr> <tr><td>Al Brnz. (2" - 24")</td><td>6</td></tr> <tr><td>Monel</td><td>7</td></tr> </tbody> </table>	5. Disc	Code	DI - ENP (2" - 12")	2	316 SS	4	DI - (14" - 24")	5	Al Brnz. (2" - 24")	6	Monel	7	<table border="1"> <thead> <tr> <th>6. Stem/Shaft</th> <th>Code</th> </tr> </thead> <tbody> <tr><td>416 SS</td><td>1</td></tr> <tr><td>316 SS *</td><td>4</td></tr> <tr><td>Monel 400</td><td>7</td></tr> <tr><td>17-4 PH</td><td>9</td></tr> </tbody> </table> <p>* Standard with 316 SS disc only</p>	6. Stem/Shaft	Code	416 SS	1	316 SS *	4	Monel 400	7	17-4 PH	9	<table border="1"> <thead> <tr> <th>7. Bushings</th> <th>Code</th> </tr> </thead> <tbody> <tr><td>PTFE (2"-24")</td><td>3</td></tr> </tbody> </table>	7. Bushings	Code	PTFE (2"-24")	3	<table border="1"> <thead> <tr> <th>8. Seat /Liner</th> <th>Code</th> </tr> </thead> <tbody> <tr><td>Buna-N</td><td>1</td></tr> <tr><td>EPDM</td><td>5</td></tr> <tr><td>Viton (275 F)</td><td>6</td></tr> <tr><td>Viton (400 F)</td><td>P</td></tr> </tbody> </table>	8. Seat /Liner	Code	Buna-N	1	EPDM	5	Viton (275 F)	6	Viton (400 F)	P	<table border="1"> <thead> <tr> <th>9. Actuator</th> <th>Code</th> </tr> </thead> <tbody> <tr><td>Handle</td><td>2</td></tr> <tr><td>Gear Operator</td><td>5</td></tr> <tr><td>No Operator</td><td>X</td></tr> <tr><td>Lockable/Infinite (2" - 6")</td><td>3</td></tr> <tr><td>Pneumatic Double Acting</td><td>6</td></tr> <tr><td>Pneu. Spring Return - Fail Close</td><td>7</td></tr> <tr><td>Pneu. Spring Return - Fail Open</td><td>8</td></tr> <tr><td>Electric</td><td>9</td></tr> <tr><td>Gear Operator w/Memory Stop</td><td>G</td></tr> <tr><td>Buried Gear w/2" Sq. Nut</td><td>C</td></tr> <tr><td>2" Nut Direct to Valve Stem</td><td>D</td></tr> <tr><td>Chain Wheel</td><td>U</td></tr> </tbody> </table>	9. Actuator	Code	Handle	2	Gear Operator	5	No Operator	X	Lockable/Infinite (2" - 6")	3	Pneumatic Double Acting	6	Pneu. Spring Return - Fail Close	7	Pneu. Spring Return - Fail Open	8	Electric	9	Gear Operator w/Memory Stop	G	Buried Gear w/2" Sq. Nut	C	2" Nut Direct to Valve Stem	D	Chain Wheel	U
1. Size	Code																																																																																																																															
2"	02																																																																																																																															
2½"	25																																																																																																																															
3"	03																																																																																																																															
4"	04																																																																																																																															
5"	05																																																																																																																															
6"	06																																																																																																																															
8"	08																																																																																																																															
10"	10																																																																																																																															
12"	12																																																																																																																															
14"	14																																																																																																																															
16"	16																																																																																																																															
18"	18																																																																																																																															
20"	20																																																																																																																															
24"	24																																																																																																																															
2. Series/Style	Code																																																																																																																															
225 Wafer	J																																																																																																																															
225 Lug	K																																																																																																																															
225 Lug - DES*	L																																																																																																																															
225 Lug CL 300 BC (2" - 12" only)	M																																																																																																																															
225 Lug CL 300 BC - DES*	N																																																																																																																															
3. Body Material	Code																																																																																																																															
Epoxy Coated DI - A536 (2" - 12")	V																																																																																																																															
Ductile Iron - A536 (14" - 30")	2																																																																																																																															
Ductile Iron - A395	G																																																																																																																															
4. Pressure	Code																																																																																																																															
200 PSI (2" - 12") DES*	0																																																																																																																															
285 PSI (2" - 24")	5																																																																																																																															
150 PSI (14" - 24") DES*	6																																																																																																																															
5. Disc	Code																																																																																																																															
DI - ENP (2" - 12")	2																																																																																																																															
316 SS	4																																																																																																																															
DI - (14" - 24")	5																																																																																																																															
Al Brnz. (2" - 24")	6																																																																																																																															
Monel	7																																																																																																																															
6. Stem/Shaft	Code																																																																																																																															
416 SS	1																																																																																																																															
316 SS *	4																																																																																																																															
Monel 400	7																																																																																																																															
17-4 PH	9																																																																																																																															
7. Bushings	Code																																																																																																																															
PTFE (2"-24")	3																																																																																																																															
8. Seat /Liner	Code																																																																																																																															
Buna-N	1																																																																																																																															
EPDM	5																																																																																																																															
Viton (275 F)	6																																																																																																																															
Viton (400 F)	P																																																																																																																															
9. Actuator	Code																																																																																																																															
Handle	2																																																																																																																															
Gear Operator	5																																																																																																																															
No Operator	X																																																																																																																															
Lockable/Infinite (2" - 6")	3																																																																																																																															
Pneumatic Double Acting	6																																																																																																																															
Pneu. Spring Return - Fail Close	7																																																																																																																															
Pneu. Spring Return - Fail Open	8																																																																																																																															
Electric	9																																																																																																																															
Gear Operator w/Memory Stop	G																																																																																																																															
Buried Gear w/2" Sq. Nut	C																																																																																																																															
2" Nut Direct to Valve Stem	D																																																																																																																															
Chain Wheel	U																																																																																																																															
					<table border="1"> <thead> <tr> <th>10. Custom</th> <th>Code</th> </tr> </thead> <tbody> <tr><td>Custom Product</td><td>D</td></tr> </tbody> </table>	10. Custom	Code	Custom Product	D																																																																																																																							
10. Custom	Code																																																																																																																															
Custom Product	D																																																																																																																															

Series 250 Figure Number System

EXAMPLE: 2356135X

250 Wafer, Carbon Steel, 285 PSI, Al. Brnz, 416 SS, PTFE Bushings, EPDM Liner, No Operator

1	2	3	4	5	6	7	8	9																																																																																																																
<table border="1"> <thead> <tr> <th>1. Size</th> <th>Code</th> </tr> </thead> <tbody> <tr><td>2"</td><td>02</td></tr> <tr><td>2½"</td><td>25</td></tr> <tr><td>3"</td><td>03</td></tr> <tr><td>4"</td><td>04</td></tr> <tr><td>5"</td><td>05</td></tr> <tr><td>6"</td><td>06</td></tr> <tr><td>8"</td><td>08</td></tr> <tr><td>10"</td><td>10</td></tr> <tr><td>12"</td><td>12</td></tr> <tr><td>14"</td><td>14</td></tr> <tr><td>16"</td><td>16</td></tr> <tr><td>18"</td><td>18</td></tr> <tr><td>20"</td><td>20</td></tr> <tr><td>24"</td><td>24</td></tr> </tbody> </table>	1. Size	Code	2"	02	2½"	25	3"	03	4"	04	5"	05	6"	06	8"	08	10"	10	12"	12	14"	14	16"	16	18"	18	20"	20	24"	24	<table border="1"> <thead> <tr> <th>2. Series/Style</th> <th>Code</th> </tr> </thead> <tbody> <tr><td>250 Wafer</td><td>2</td></tr> <tr><td>250 Lug</td><td>4</td></tr> <tr><td>250 Lug-DES*</td><td>6</td></tr> </tbody> </table> <p>* DES = Double Dead End Service</p>	2. Series/Style	Code	250 Wafer	2	250 Lug	4	250 Lug-DES*	6	<table border="1"> <thead> <tr> <th>3. Body Material</th> <th>Code</th> </tr> </thead> <tbody> <tr><td>Carbon Steel **</td><td>3</td></tr> <tr><td>316 Stainless Steel</td><td>4</td></tr> </tbody> </table>	3. Body Material	Code	Carbon Steel **	3	316 Stainless Steel	4	<table border="1"> <thead> <tr> <th>4. Pressure</th> <th>Code</th> </tr> </thead> <tbody> <tr><td>200 PSI (2" - 12") DES*</td><td>0</td></tr> <tr><td>285 PSI (2" - 24") STANDARD</td><td>5</td></tr> <tr><td>150 PSI (14" - 24") DES*</td><td>6</td></tr> <tr><td>125 PSI (2" - 12") PTFE</td><td>8</td></tr> </tbody> </table> <p>* DES Pressure Rating: 2" - 12" 200 CWP 14" - 24" 150 CWP</p>	4. Pressure	Code	200 PSI (2" - 12") DES*	0	285 PSI (2" - 24") STANDARD	5	150 PSI (14" - 24") DES*	6	125 PSI (2" - 12") PTFE	8	<table border="1"> <thead> <tr> <th>5. Disc</th> <th>Code</th> </tr> </thead> <tbody> <tr><td>316 SS</td><td>4</td></tr> <tr><td>Al Brnz. (2" - 24")</td><td>6</td></tr> <tr><td>Monel 400</td><td>7</td></tr> </tbody> </table>	5. Disc	Code	316 SS	4	Al Brnz. (2" - 24")	6	Monel 400	7	<table border="1"> <thead> <tr> <th>6. Stem/Shaft</th> <th>Code</th> </tr> </thead> <tbody> <tr><td>416 SS</td><td>1</td></tr> <tr><td>316 SS *</td><td>4</td></tr> <tr><td>Monel 400</td><td>7</td></tr> <tr><td>17-4 PH</td><td>9</td></tr> </tbody> </table> <p>* Standard with 316 SS Disc Only</p>	6. Stem/Shaft	Code	416 SS	1	316 SS *	4	Monel 400	7	17-4 PH	9	<table border="1"> <thead> <tr> <th>7. Bushings</th> <th>Code</th> </tr> </thead> <tbody> <tr><td>PTFE (2"-24")</td><td>3</td></tr> </tbody> </table>	7. Bushings	Code	PTFE (2"-24")	3	<table border="1"> <thead> <tr> <th>8. Seat /Liner</th> <th>Code</th> </tr> </thead> <tbody> <tr><td>Buna-N</td><td>1</td></tr> <tr><td>EPDM</td><td>5</td></tr> <tr><td>Viton (275 F)</td><td>6</td></tr> <tr><td>Viton (400 F)</td><td>P</td></tr> </tbody> </table>	8. Seat /Liner	Code	Buna-N	1	EPDM	5	Viton (275 F)	6	Viton (400 F)	P	<table border="1"> <thead> <tr> <th>9. Actuator</th> <th>Code</th> </tr> </thead> <tbody> <tr><td>Handle</td><td>2</td></tr> <tr><td>Gear Operator</td><td>5</td></tr> <tr><td>No Operator</td><td>X</td></tr> <tr><td>Lockable/Infinite (2" - 6")</td><td>3</td></tr> <tr><td>Pneumatic Double Acting</td><td>6</td></tr> <tr><td>Pneu. Spring Return Fail Close</td><td>7</td></tr> <tr><td>Pneu. Spring Return Fail Open</td><td>8</td></tr> <tr><td>Electric</td><td>9</td></tr> <tr><td>Gear Op w/Memory Stop</td><td>G</td></tr> <tr><td>Buried Gear w/2"Sq. Nut</td><td>C</td></tr> <tr><td>2" Nut Direct to Valve Stem</td><td>D</td></tr> <tr><td>Chain Wheel</td><td>U</td></tr> </tbody> </table>	9. Actuator	Code	Handle	2	Gear Operator	5	No Operator	X	Lockable/Infinite (2" - 6")	3	Pneumatic Double Acting	6	Pneu. Spring Return Fail Close	7	Pneu. Spring Return Fail Open	8	Electric	9	Gear Op w/Memory Stop	G	Buried Gear w/2"Sq. Nut	C	2" Nut Direct to Valve Stem	D	Chain Wheel	U
1. Size	Code																																																																																																																							
2"	02																																																																																																																							
2½"	25																																																																																																																							
3"	03																																																																																																																							
4"	04																																																																																																																							
5"	05																																																																																																																							
6"	06																																																																																																																							
8"	08																																																																																																																							
10"	10																																																																																																																							
12"	12																																																																																																																							
14"	14																																																																																																																							
16"	16																																																																																																																							
18"	18																																																																																																																							
20"	20																																																																																																																							
24"	24																																																																																																																							
2. Series/Style	Code																																																																																																																							
250 Wafer	2																																																																																																																							
250 Lug	4																																																																																																																							
250 Lug-DES*	6																																																																																																																							
3. Body Material	Code																																																																																																																							
Carbon Steel **	3																																																																																																																							
316 Stainless Steel	4																																																																																																																							
4. Pressure	Code																																																																																																																							
200 PSI (2" - 12") DES*	0																																																																																																																							
285 PSI (2" - 24") STANDARD	5																																																																																																																							
150 PSI (14" - 24") DES*	6																																																																																																																							
125 PSI (2" - 12") PTFE	8																																																																																																																							
5. Disc	Code																																																																																																																							
316 SS	4																																																																																																																							
Al Brnz. (2" - 24")	6																																																																																																																							
Monel 400	7																																																																																																																							
6. Stem/Shaft	Code																																																																																																																							
416 SS	1																																																																																																																							
316 SS *	4																																																																																																																							
Monel 400	7																																																																																																																							
17-4 PH	9																																																																																																																							
7. Bushings	Code																																																																																																																							
PTFE (2"-24")	3																																																																																																																							
8. Seat /Liner	Code																																																																																																																							
Buna-N	1																																																																																																																							
EPDM	5																																																																																																																							
Viton (275 F)	6																																																																																																																							
Viton (400 F)	P																																																																																																																							
9. Actuator	Code																																																																																																																							
Handle	2																																																																																																																							
Gear Operator	5																																																																																																																							
No Operator	X																																																																																																																							
Lockable/Infinite (2" - 6")	3																																																																																																																							
Pneumatic Double Acting	6																																																																																																																							
Pneu. Spring Return Fail Close	7																																																																																																																							
Pneu. Spring Return Fail Open	8																																																																																																																							
Electric	9																																																																																																																							
Gear Op w/Memory Stop	G																																																																																																																							
Buried Gear w/2"Sq. Nut	C																																																																																																																							
2" Nut Direct to Valve Stem	D																																																																																																																							
Chain Wheel	U																																																																																																																							
<table border="1"> <thead> <tr> <th>10. Custom</th> <th>Code</th> </tr> </thead> <tbody> <tr><td>Custom Product</td><td>D</td></tr> </tbody> </table>									10. Custom	Code	Custom Product	D																																																																																																												
10. Custom	Code																																																																																																																							
Custom Product	D																																																																																																																							

NOTE:

**Center Line Series 250 Carbon Steel valves with CE marking are good to 32° F for non-impact tested bodies.

Series 800 Figure Number System



1. Size	Code
2"	02
2½"	25
3"	03
to 20"	20

2. Series/Style	Code
Wafer	R
Euro	W

3. Body	Code
Ductile Iron	1
Epoxy Coated DI (A536)	S

4. Pressure	Code
150 PSI	6

5. Plate	Code
316 SS (2"-14")	4
Ductile Iron (6"-20")	5
Aluminum Bronze (2.5"-20")	6
Monel® (2"-8")	7

6. Shaft	Code
316 SS	4
Monel®	7

7. Springs	Code
316 SS	D
Monel® 400	M

8. Seat/Liner	Code
Buna-N	1
Neoprene	3
EPDM	5
Viton®	0

9. Special Features	Code
CE Marked - Non-Impact Tested	P

Technical Data

The nomograph on the next page gives the relationships of valve size, flow, velocity, and pressure drop for various disc positions.

Sample Calculation, Liquid (see black line on chart)

Given:

Water (1.0 specific gravity) at 60°F is flowing through a 6-inch valve at a rate of 1000 gpm.

Find:

Line velocity (ft./sec.) and pressure drop when valve is in full-open (disc at 90°) position.

Solution:

From the 6-inch valve size at lower left of nomograph, go diagonally up to the intersecting horizontal line for 1000 gpm. From that point, proceed directly down to determine line velocity as 11 ft./sec.

For pressure drop, return to the 1000 gpm intersection and continue up vertically to "90° disc open" intersecting diagonal line. From this point, go horizontally to the left to determine pressure drop as 0.5 psi.

Sample Calculation, Gas (see gray line on chart)

Given:

Gas (0.8 lb/cu. ft. density) is flowing through an 8-inch valve at a rate of 1500 cu. ft./min.

Find:

Line velocity (ft./min.) and pressure drop when valve is in full-open (disc at 90°) position.

Solution:

From 8-inch valve size at lower left of nomograph, go diagonally up to the intersecting horizontal line for 1500 cu. ft./min. From that point, proceed directly down to the bottom line of the nomograph to determine line velocity as 4000 ft./min.

For pressure drop, return to the 1500 cu. ft./min. intersection and continue up vertically to "90° disc open" intersecting diagonal line. From this point, go horizontally to the left to determine pressure drop as 17 psi. Now, convert pressure drop to gas by dividing gas density by liquid density and multiplying by 17.

General Notes

- Liquid flow data is based on pressure drop and flow rate with viscosity similar to water at 60°F using flow coefficient.
- Velocities for liquids with densities similar to water should be less than 16 ft./sec.
- Nomograph flow rate for gases is in cubic feet per minute (CFM) at flowing conditions. To convert flow rate from standard cubic feet per minute to CFM, use the following formula:
- Gas density in lbs./cu. ft. equals:

$$\frac{0.8}{62.34} \times 17.0 = 0.22 \text{ psi}$$

$$\text{CFM} = \frac{(\text{SCFM} \times 14.7) \times (460 + ^\circ\text{F})}{(\text{line pressure, psia}) \times 520}$$

$$\frac{\left(\frac{270 \times}{\text{line pressure, psia}} \right) \times \left(\frac{\text{specific gravity of gas (relative to air)}}{460 + ^\circ\text{F}} \right)}$$

Size	C _v at Full-Open
2"	115
2 1/2"	196
3"	302
4"	600
5"	1022
6"	1579
8"	3136
10"	5340
12"	8250
14"	11917
16"	16388
18"	21705
20"	27908
24"	43116
30"	73426

Definitions

C_v = Flow coefficient for valves; expresses flow rate in gallons per minute of 60°F water with 1.0 psi pressure drop across valve.

K = resistance coefficient.

$$\mathbf{K} = d \sqrt{\frac{29.9}{C_v}}$$

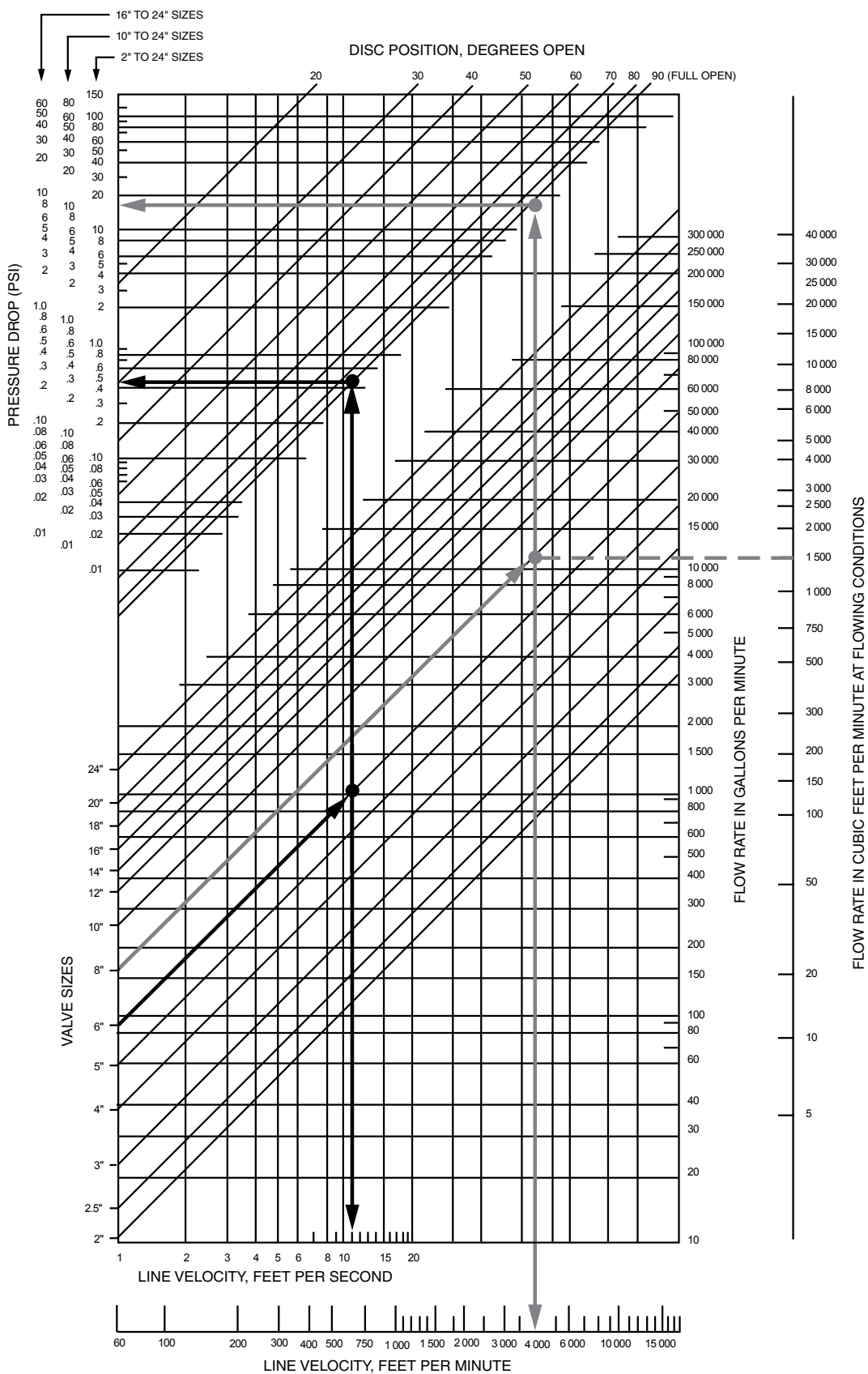
P = weight density of fluid, in pounds per cubic foot.

d = internal diameter of Schedule 40 pipe, in inches.

Q = rate of flow, in gallons per minute.

ΔP = differential pressure, in pounds per square inch gauge.

Technical Data



Technical Data

Seat Temperature Ratings and Application Information

Elastomer	Continuous Temp Range	Description
Buna-N	+10°F to 180°F	<p>Also known as Nitrile or NBR. Buna-N is a good, general purpose material for most general services such as water at ambient temperatures, vacuum, compressed air, salt solutions, alkaline solutions and aliphatic hydrocarbons (saturated and unsaturated).</p> <p>Buna-N is not recommended for strong oxidizing agents, nitrated hydrocarbons, Ketones, acetates, phenols, aldehydes or for gasolines with additives. Also, Buna-N can swell in hot water applications, and increase operating torque.</p>
EPDM	-30°F to 275°F	<p>EPDM is a synthetic rubber suitable for many general purpose applications with higher temperature requirements. It is acceptable for hot and chilled water, glycols, detergents, phosphate esters, Ketones and alcohols.</p> <p>EPDM is not suitable for any hydrocarbon-based oils and lubricants, or in compressed air systems with hydrocarbons.</p>
Viton®	+10°F to 400°F	<p>Viton® is a fluoroelastomer with exceptional resistance to oils and chemicals at higher temperatures. Viton® is suitable for hydrocarbons, and has a greater chemical resistance than Buna-N. Viton® can also be recommended for mineral acids, dilute and concentrated solutions and alcohols.</p> <p>Viton® is not recommended for higher temperature water and steam applications as it has a tendency to swell. Also, Viton® hardens at the lower end of the temperature range, which can increase operation torque.</p>

Crane is please to offer other seat materials upon request. Please consult your sales representative or the factory for availability and application information.

Notes



Crane ChemPharma & Energy
 Crane Energy Headquarters
 4526 Research Forest Drive, Suite 400
 The Woodlands, Texas 77381 U.S.A
 Phone: +1 936-271-6500
 Fax +1 936-271-6510
 www.cranecpe.com



NGC
 PRODUCT SOLUTIONS inc.

3160 118 Avenue SE, Calgary, AB T2Z 3X1
 TOLL FREE: 888 770 8899 MAIN: 403 295 3114
 EMAIL: sales@ngc-ps.com WEB: ngc-ps.com

Center Line Customer Service
 9860 Johnson Road
 Montgomery, Texas 77316
 Tel.: (1) 936-588-8380
 Fax.: (1) 936-588-8381

Sydney, Australia, Operations
 146–154 Dunheved Circuit
 St. Mary's, N.S.W. 2760 Australia
 Tel.: + 61 (2) 9623-0234
 Fax.: + 61 (2) 9673-3870

Ningjin, China Operations
 No. 8 Youyi Street Ningjin County
 Hebei Province, China 055550
 Tel: (86) 319-580-6651
 Fax: (86) 319-580-8661

brands you trust.



Crane Co., and its subsidiaries cannot accept responsibility for possible errors in catalogues, brochures, other printed materials, and website information. Crane Co. reserves the right to alter its products without notice, including products already on order provided that such alteration can be made without changes being necessary in specifications already agreed. All trademarks in this material are property of the Crane Co. or its subsidiaries. The Crane and Crane brands logotype, in alphabetical order, (ALOYCO®, CENTER LINE®, COMPAC-NOZ®, CRANE®, DEPA®, DUO-CHEK®, ELRO®, FLOWSEAL®, JENKINS®, KROMBACH®, NOZ-CHEK®, PACIFIC VALVES®, RESISTOFLEX®, REVO®, SAUNDERS®, STOCKHAM®, TRIANGLE®, UNI-CHEK®, WTA®, and XOMOX®) are registered trademarks of Crane Co. All rights reserved.