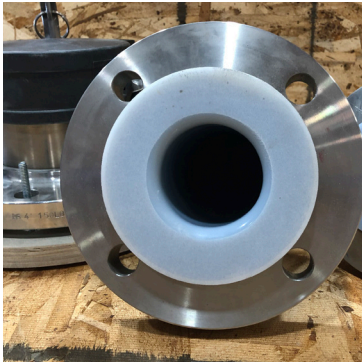


Camlocks

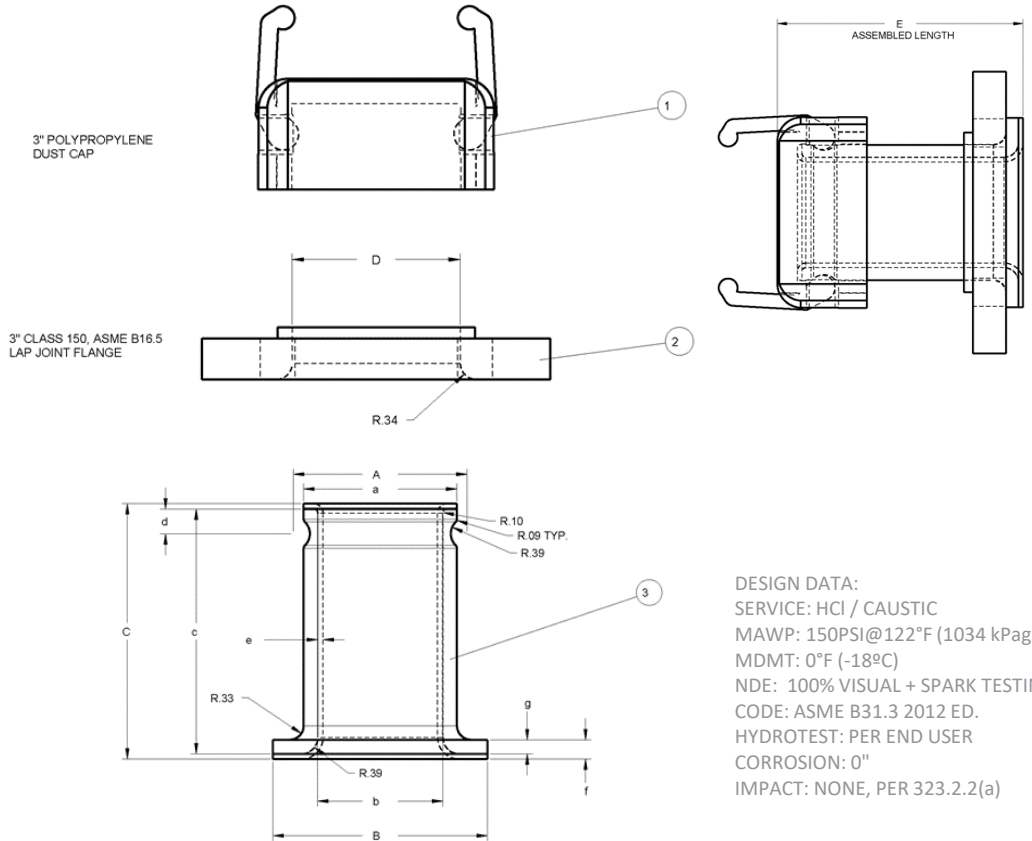
MALE CAMLOCK



3" POLYPROPYLENE
DUST CAP



3" CLASS 150, ASME B16.5
LAP JOINT FLANGE

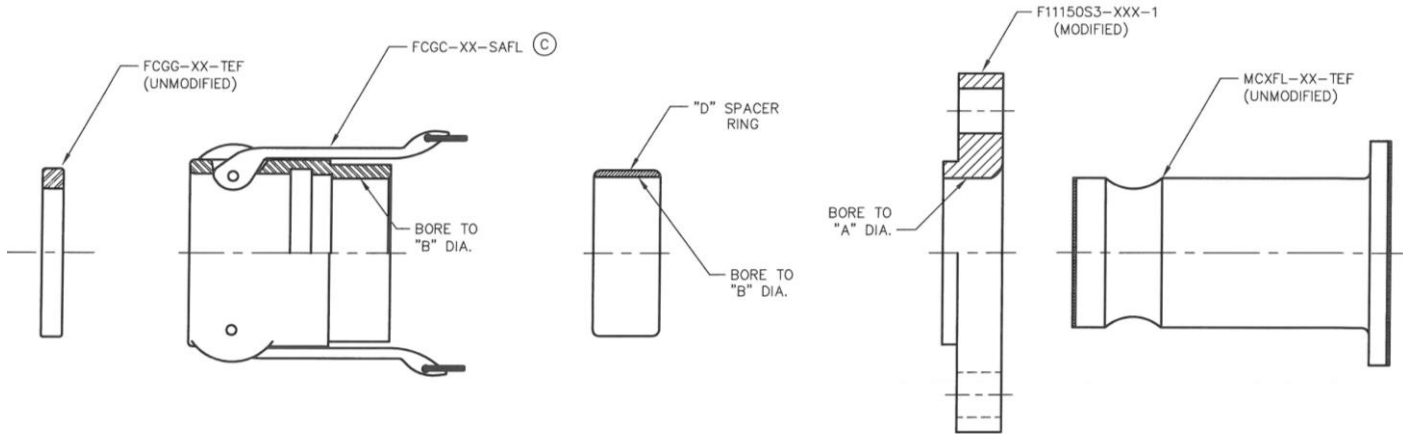


DESIGN DATA:
 SERVICE: HCl / CAUSTIC
 MAWP: 150PSI@122°F (1034 kPag @ 50°C)
 MDMT: 0°F (-18°C)
 NDE: 100% VISUAL + SPARK TESTING
 CODE: ASME B31.3 2012 ED.
 HYDROTEST: PER END USER
 CORROSION: 0"
 IMPACT: NONE, PER 323.2.2(a)

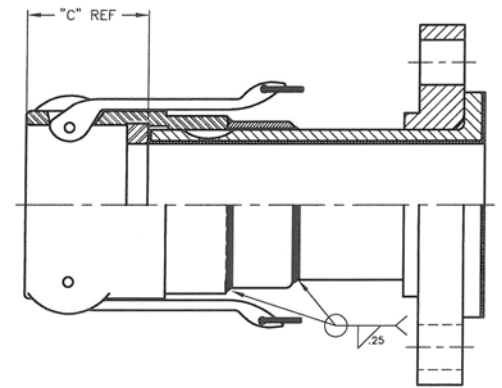
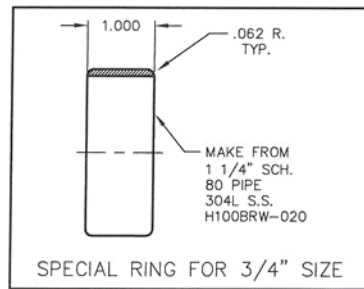
Size (inch)	DIMENSIONS (INCH)											
	A	a	B	b	C	c	D	d	E	e	f	g
2	3.00	2.48	3.63	1.75	6.00	5.75	2.50	0.74	6.50	0.13	0.49	0.365
3	4.08	3.60	5.04	2.94	6.00	5.75	3.62	0.58	6.53	0.13	0.46	0.33
4	5.30	4.70	6.19	3.81	6.50	6.25	4.72	0.77	7.18	0.13	0.57	0.445

Camlocks

FEMALE



COMPONENT MODIFICATIONS



ASSEMBLY

RESISTOFLEX PART NO.	A. DIA.	B. DIA.	C. DIA.	D SPACER RING
FCXFL-12-TEF	1.28	1.268	1.415	SPECIAL AS SHOWN
FCXFL-16-TEF	1.46	1.444	1.681	NOT REQUIRED
FCXFL-24-TEF	2.13	2.113	1.956	MBCF-24-SS
FCXFL-32-TEF	2.56	2.500	2.215	MBCF-32-SS
FCXFL-48-TEF	3.65	3.610	2.021	NOT REQUIRED